

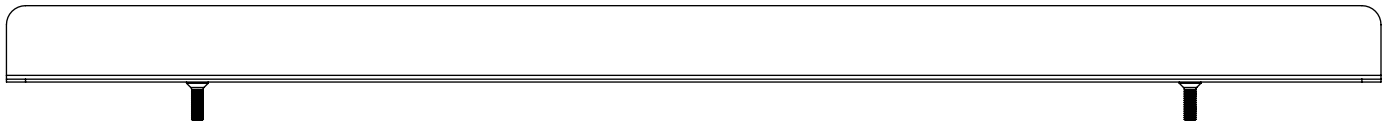
TABLE SHELF - 720 MM

DESIGNED BY PJ PRODUCTION & HANS THYGE & CO



APTO

PARTS



1 x table shelf - 720 mm



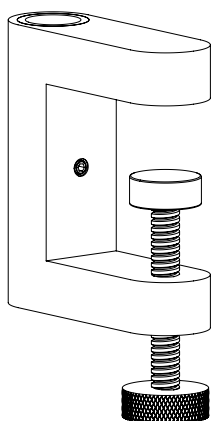
2 x tube

TABLE SHELF - 720 MM

Nordic Dark Blue: 6000-0007-8005
Danish Dusty Green: 6000-0007-9033
Scandinavian Matte Black: 6000-0007-9000

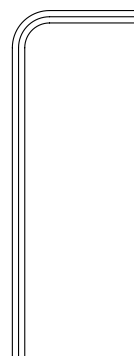
APTO

WHAT YOU WILL NEED



2 x MULTI CLAMPS

Nordic Dark Blue: 6000-0000-5008
Danish Dusty Green: 6000-0000-7033
Scandinavian Matte Black: 6000-0000-9000

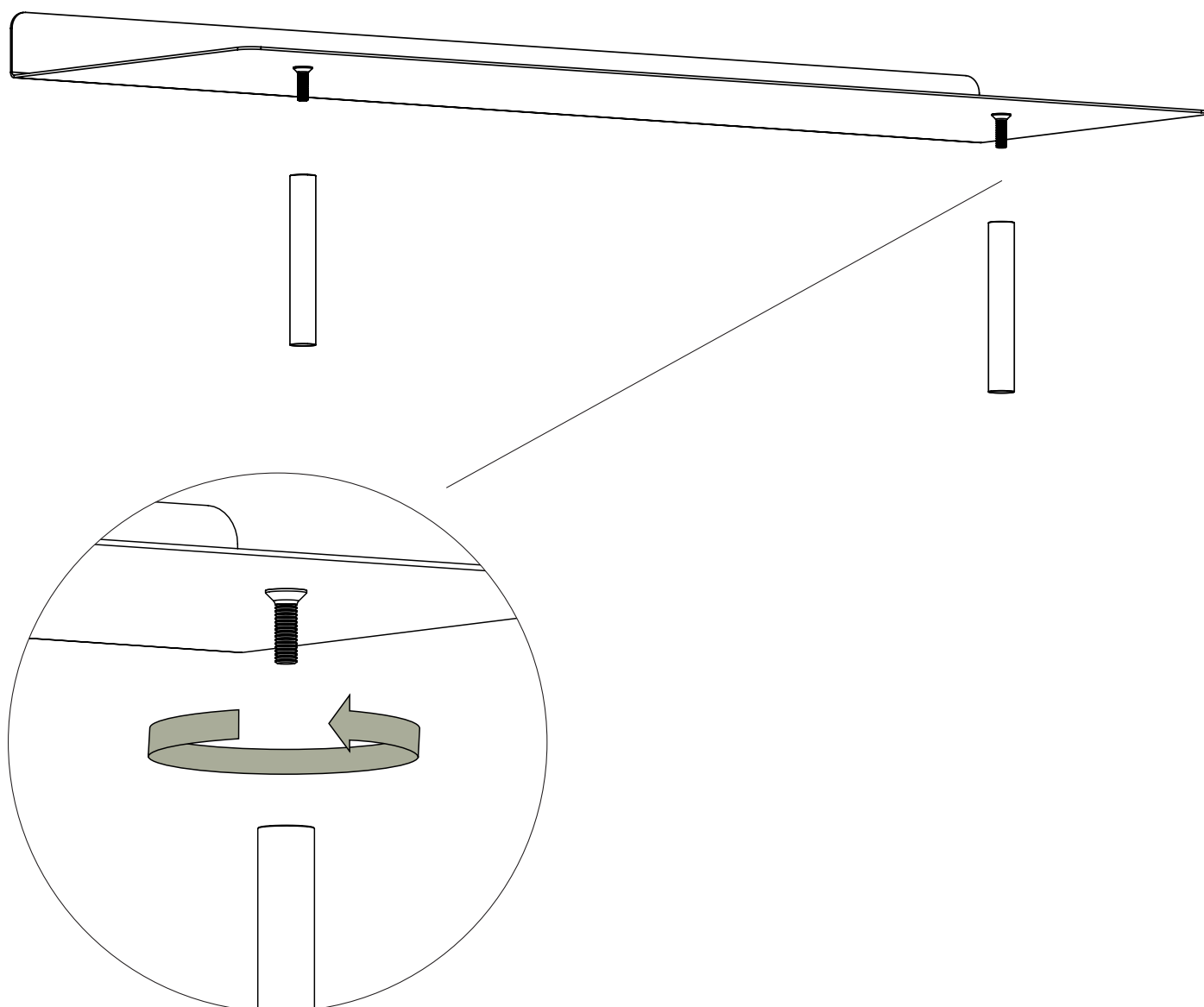


1 x ALLEN WRENCH

The Allen wrench is included in the multi clamp box

STEP 1

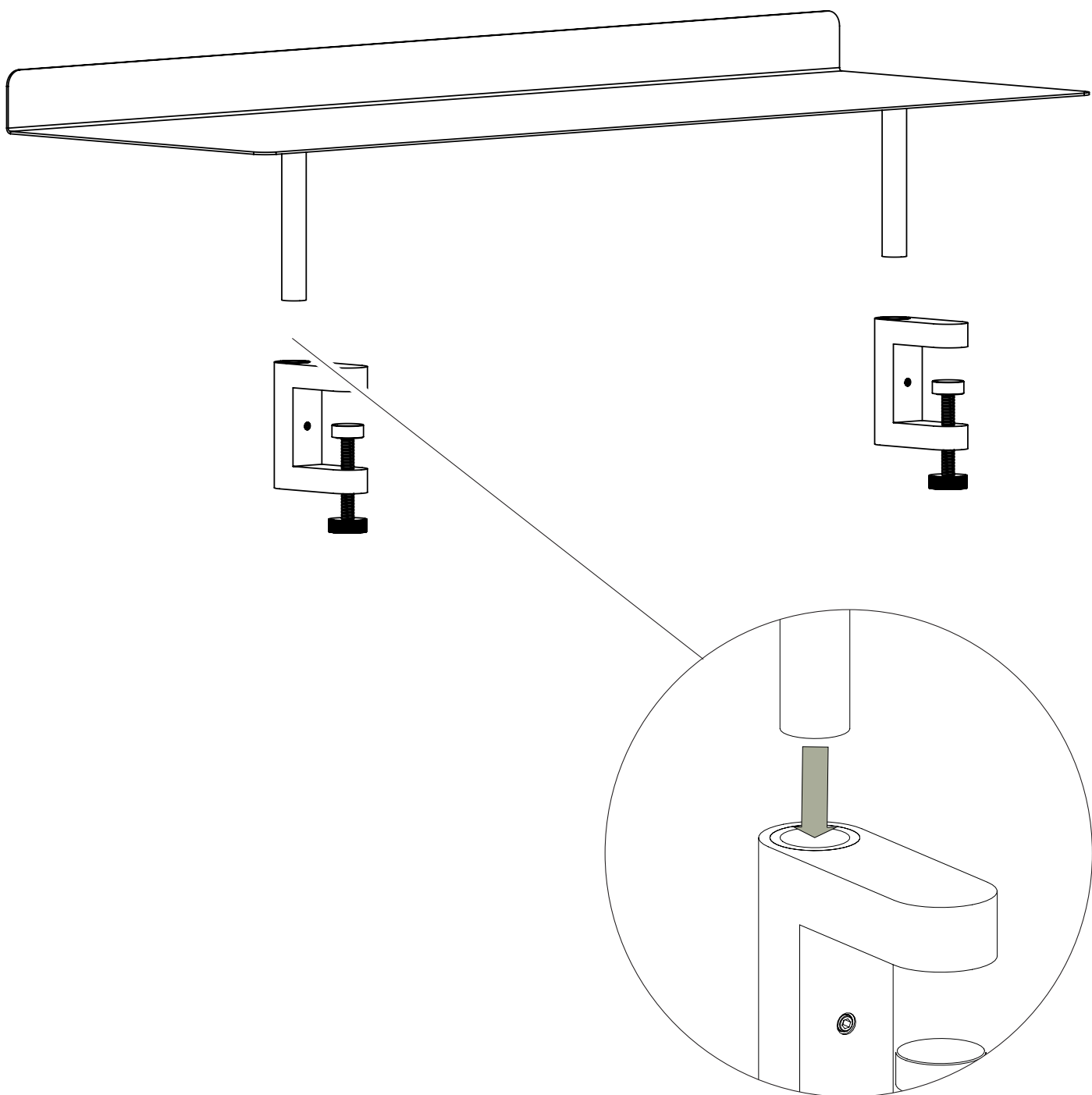
Carefully connect the table shelf and the tube manually by hands in a clockwise fashion until the tube has been sufficiently tightened.



APTO

STEP 2

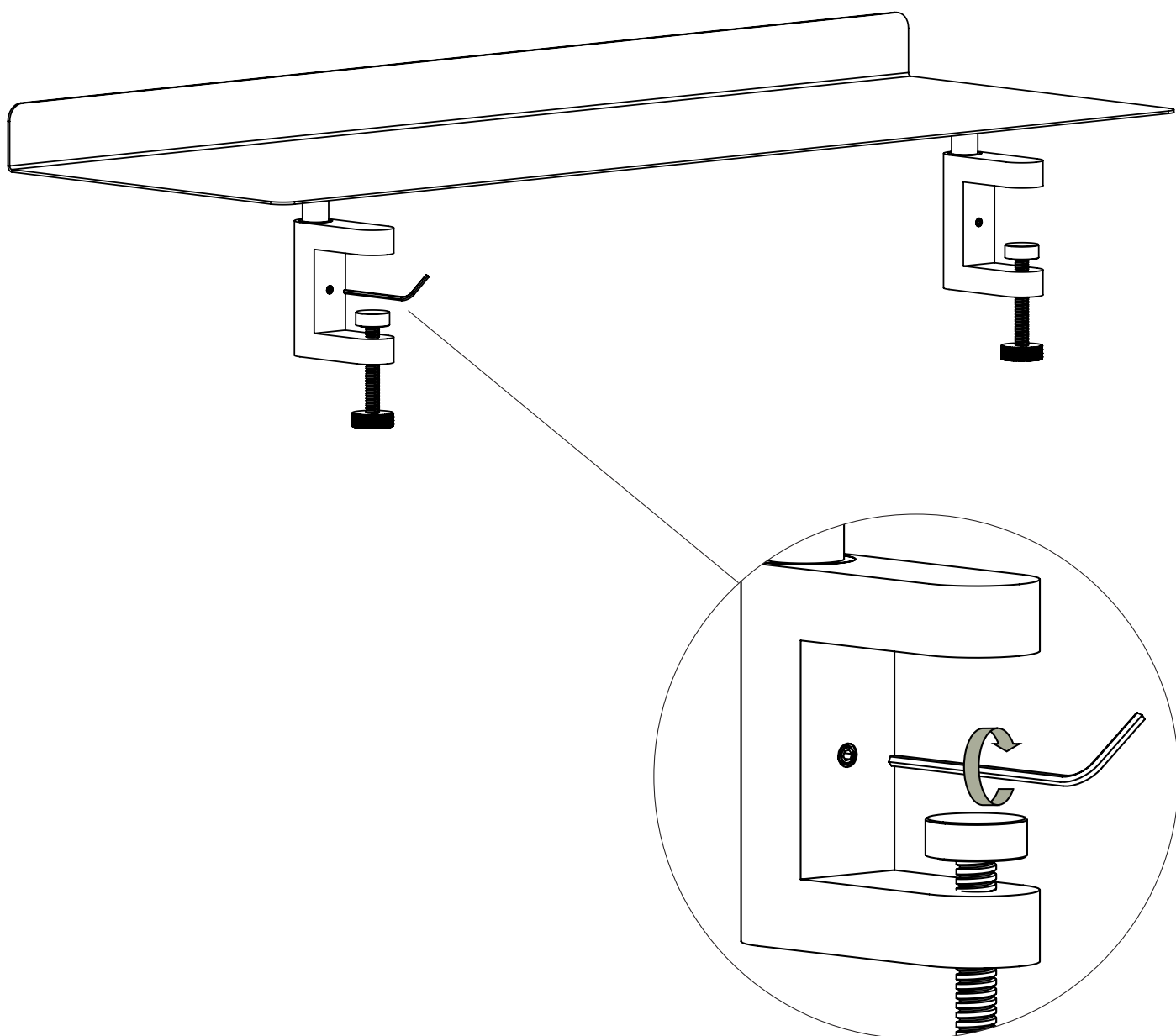
Carefully lead the tube through the hole at the top of the multi clamp



APTO

STEP 3

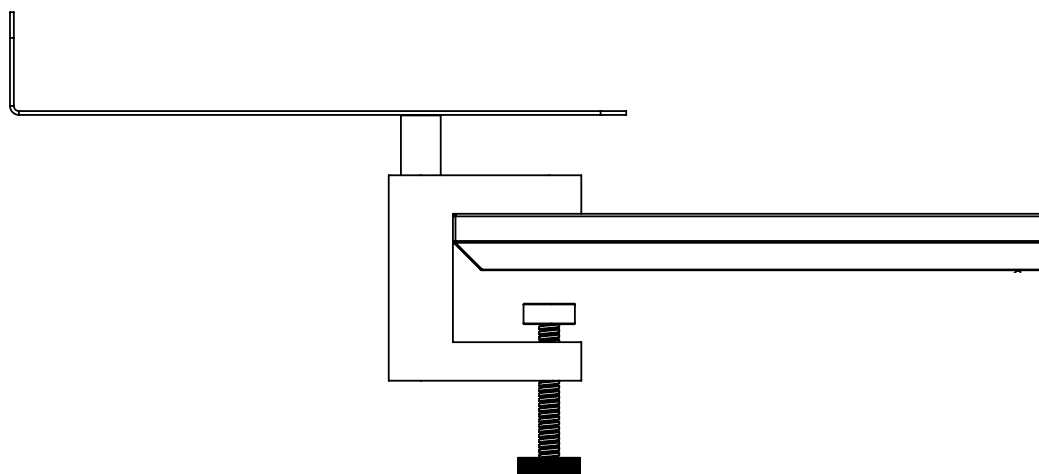
The finger screw must be open entirely before continuing. Now carefully insert the tip of the Allen wrench into the hexagon cross section of the socket screw and turn the wrench in a clockwise fashion until the socket screw has been sufficiently tightened.



APTO

STEP 4

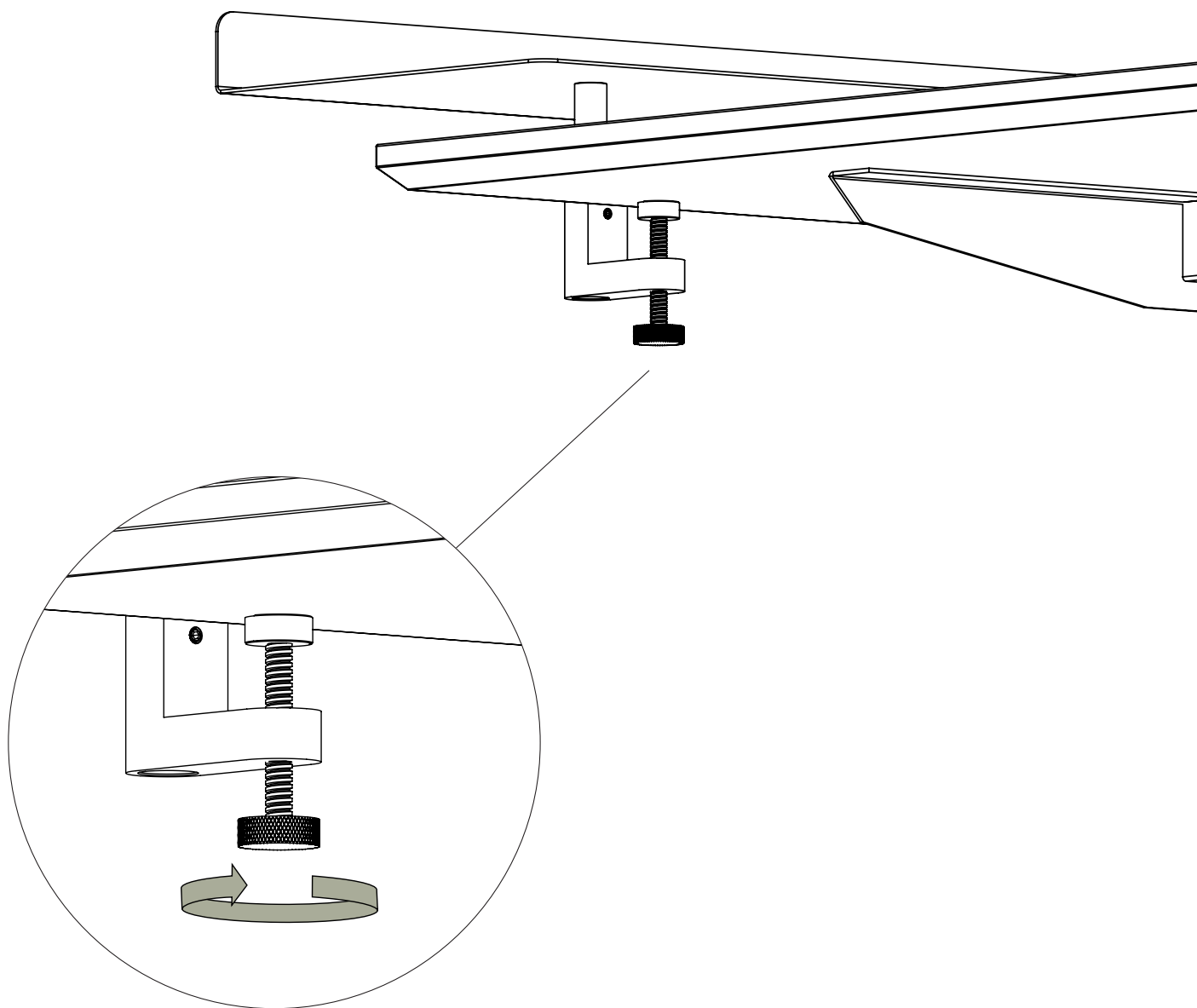
The table shelf can now be attached to the preferred surface.



APTO

STEP 5

When the placement of the table shelf is correctly, then tighten the finger screw completely.



APTO

Hårup Skovej 2, 8600 Silkeborg, Danmark
+ 45 86 81 23 75 // www.aptocollection.dk

APTO
DANISH DESIGN