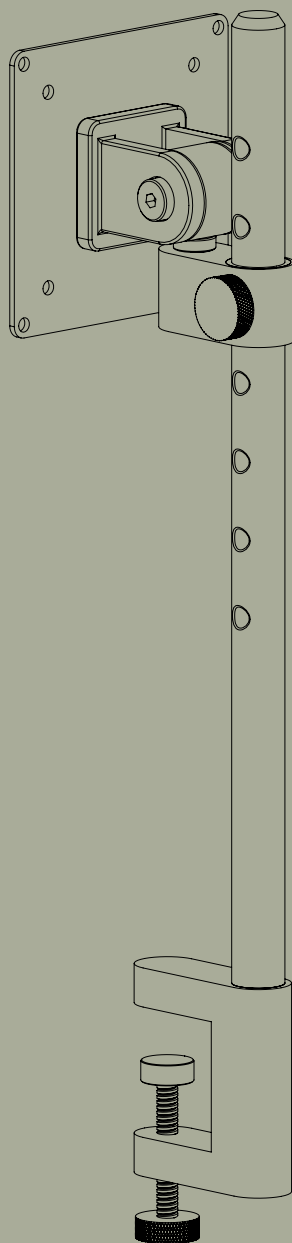


MONITOR HOLDER

DESIGNED BY PJ PRODUCTION & HANS THYGE & CO

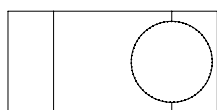


APTO

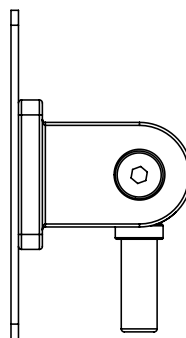
PARTS



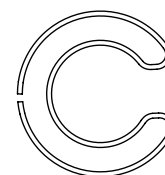
1 x monitorarm



1 x holder



1 x VESA



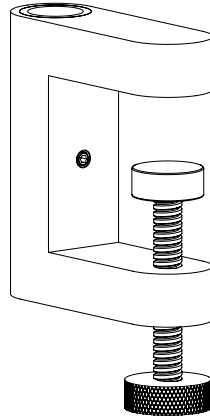
1 x cable clip

MONITOR HOLDER

Nordic Dark Blue: 6000-0032-5008
Danish Dusty Green: 6000-0032-7033
Scandinavian Matte Black: 6000-0032-9000

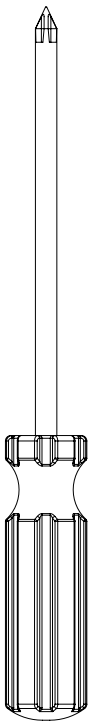
APTO

WHAT YOU WILL NEED



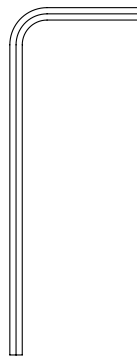
1 x MULTI CLAMP

Nordic Dark Blue: 6000-0000-5008
Danish Dusty Green: 6000-0000-7033
Scandinavian Matte Black: 6000-0000-9000



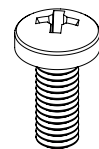
1 x SCREWDRIVER

One screwdriver. Please note that this is not included!



1 x ALLEN WRENCH

The Allen wrench is included in the multi clamp box



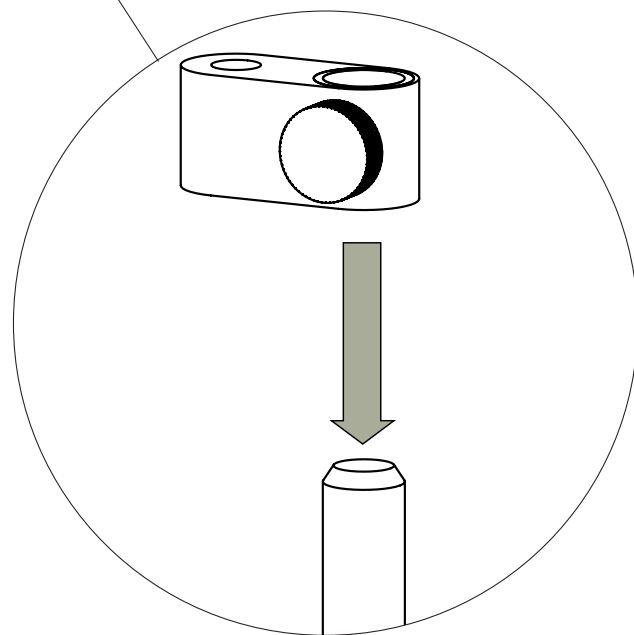
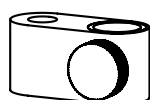
4 x SCREWS

Four size fitting screws for the VESA. Please note that these are not included!

APTO

STEP 1

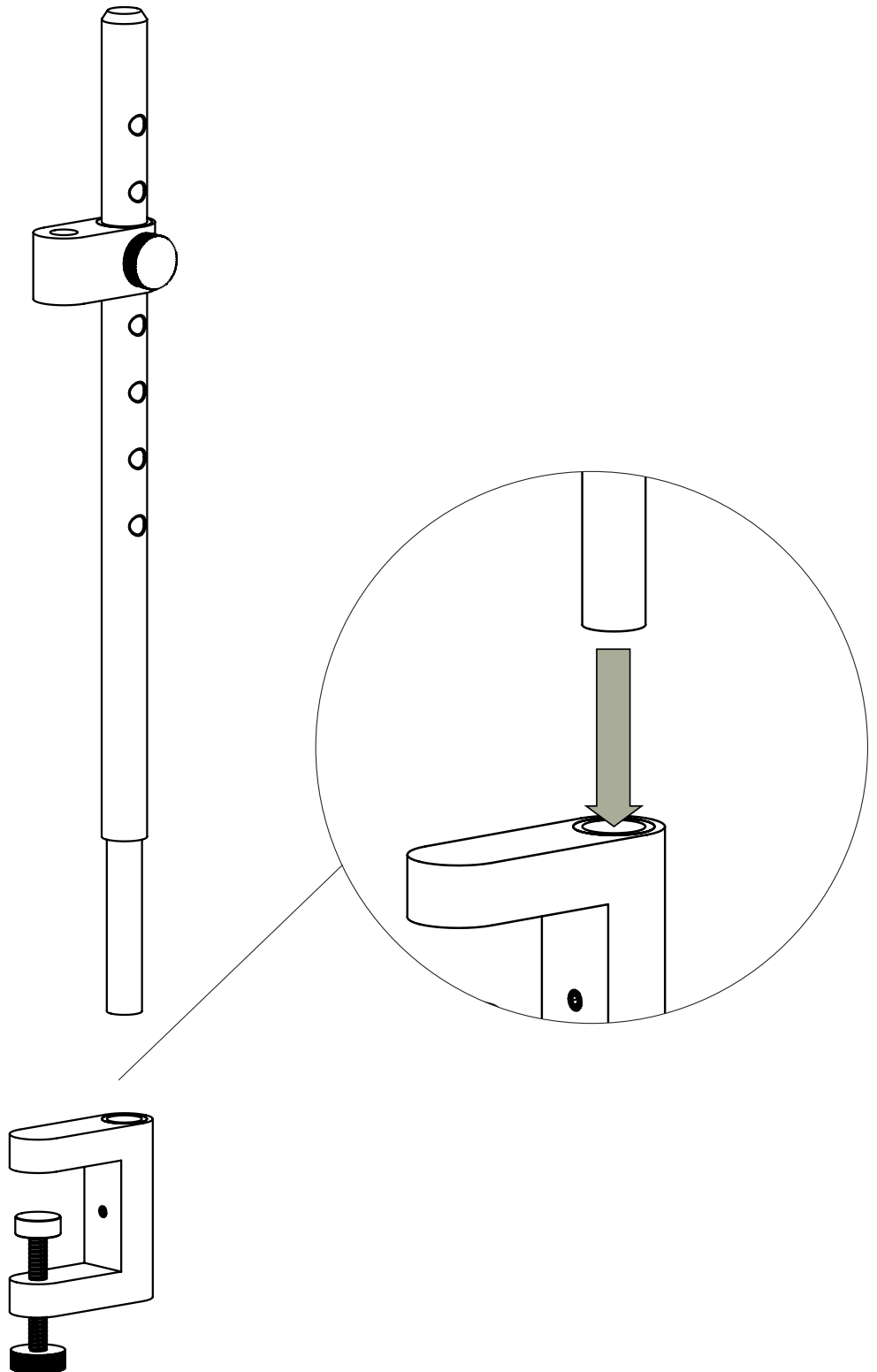
Carefully connect the monitorarm and the holder



APTO

STEP 2

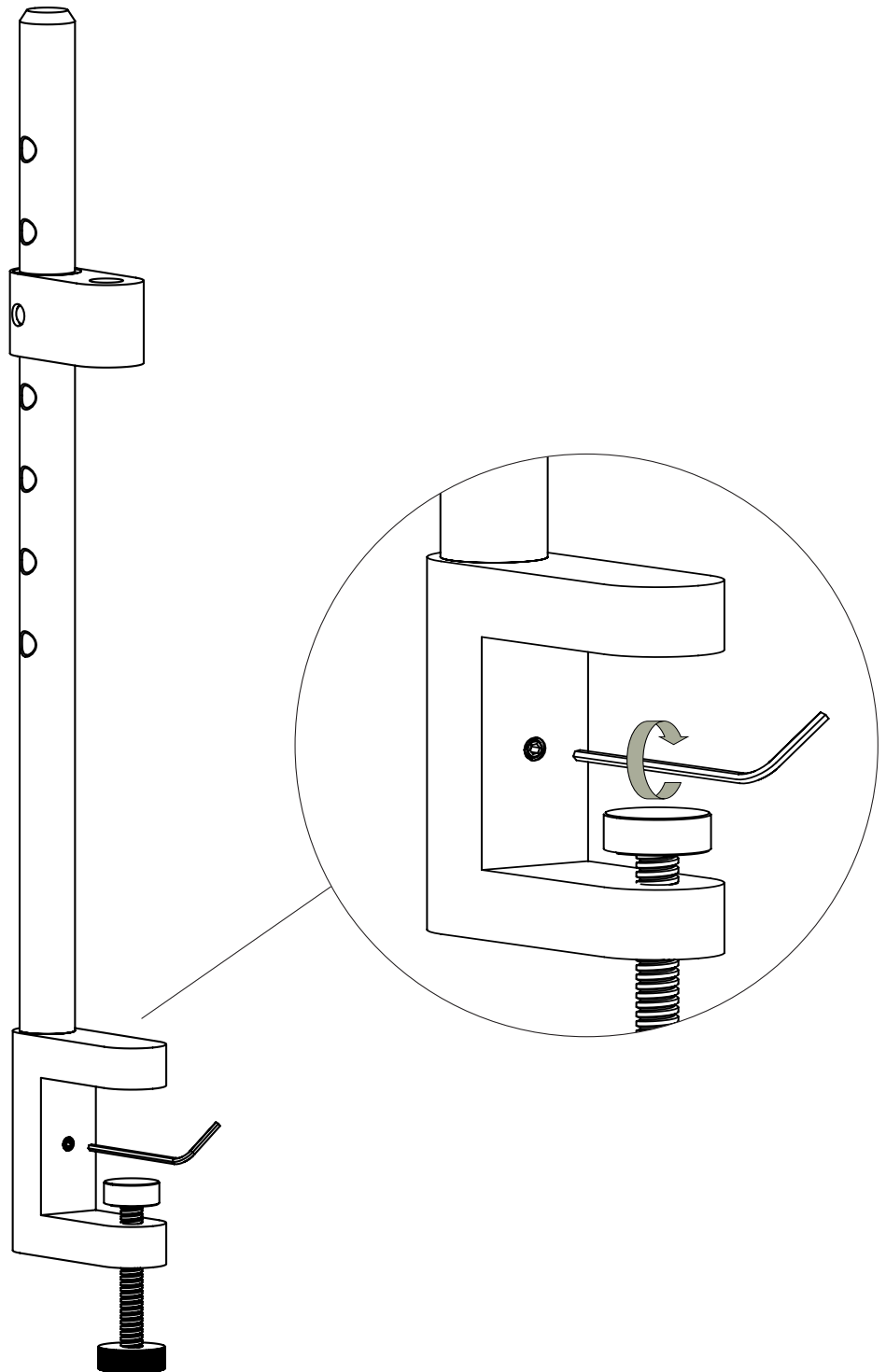
Carefully lead the tube through the hole at the top of the multi clamp



APTO

STEP 3

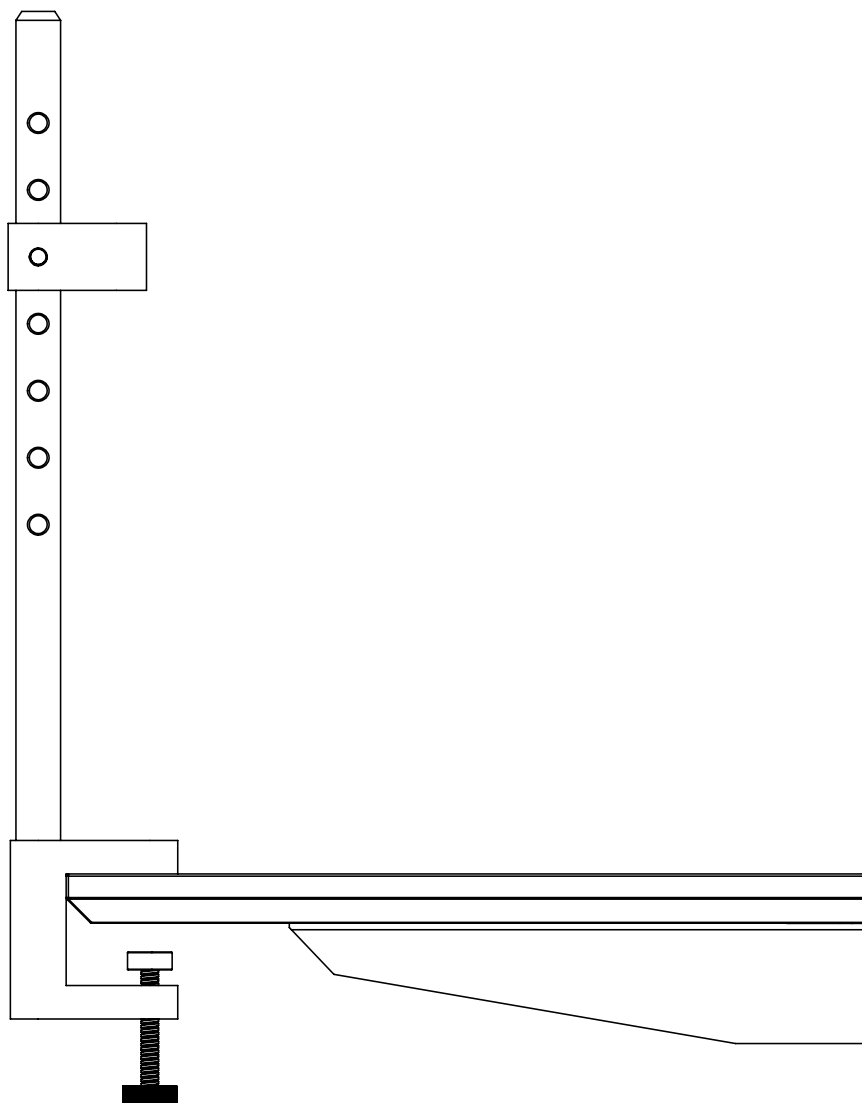
The finger screw must be open entirely before continuing. Now carefully insert the tip of the Allen wrench into the hexagon cross section of the socket screw and turn the wrench in a clockwise fashion until the socket screw has been sufficiently tightened.



APTO

STEP 4

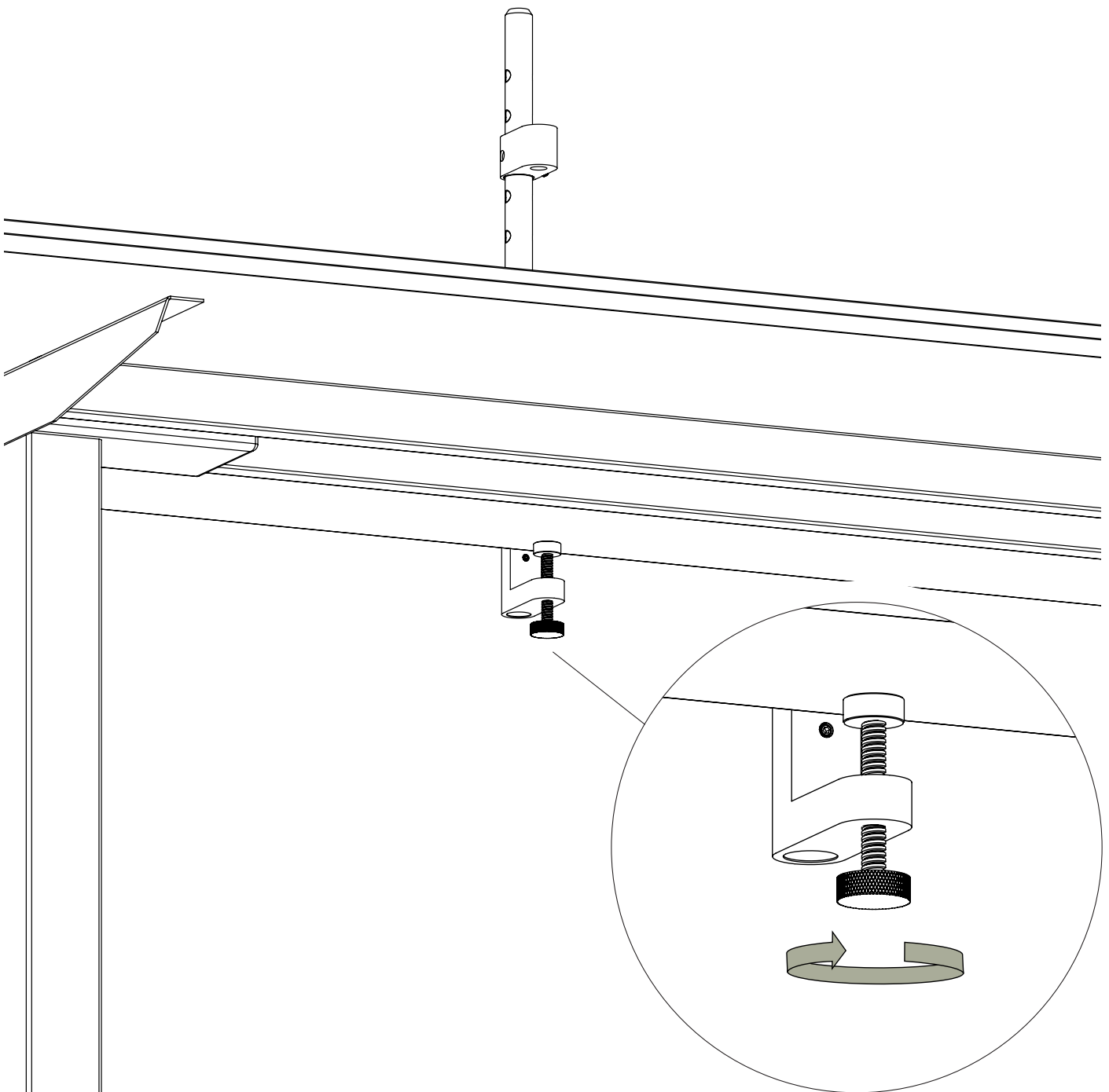
The monitor holder can now be attached to the preferred surface.



APTO

STEP 5

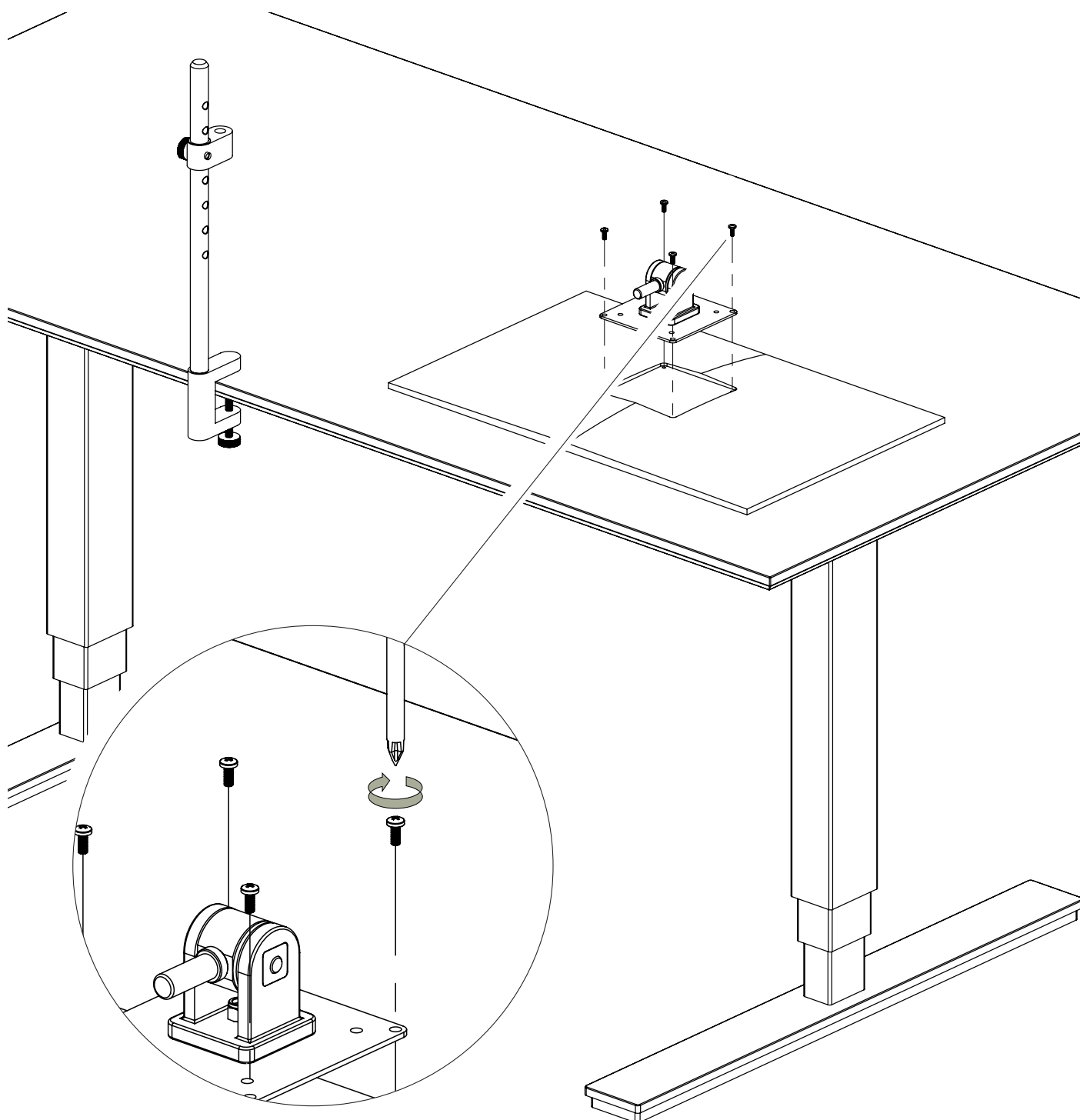
When the placement of the monitor holder is correctly, then tighten the finger screw completely.



APTO

STEP 6

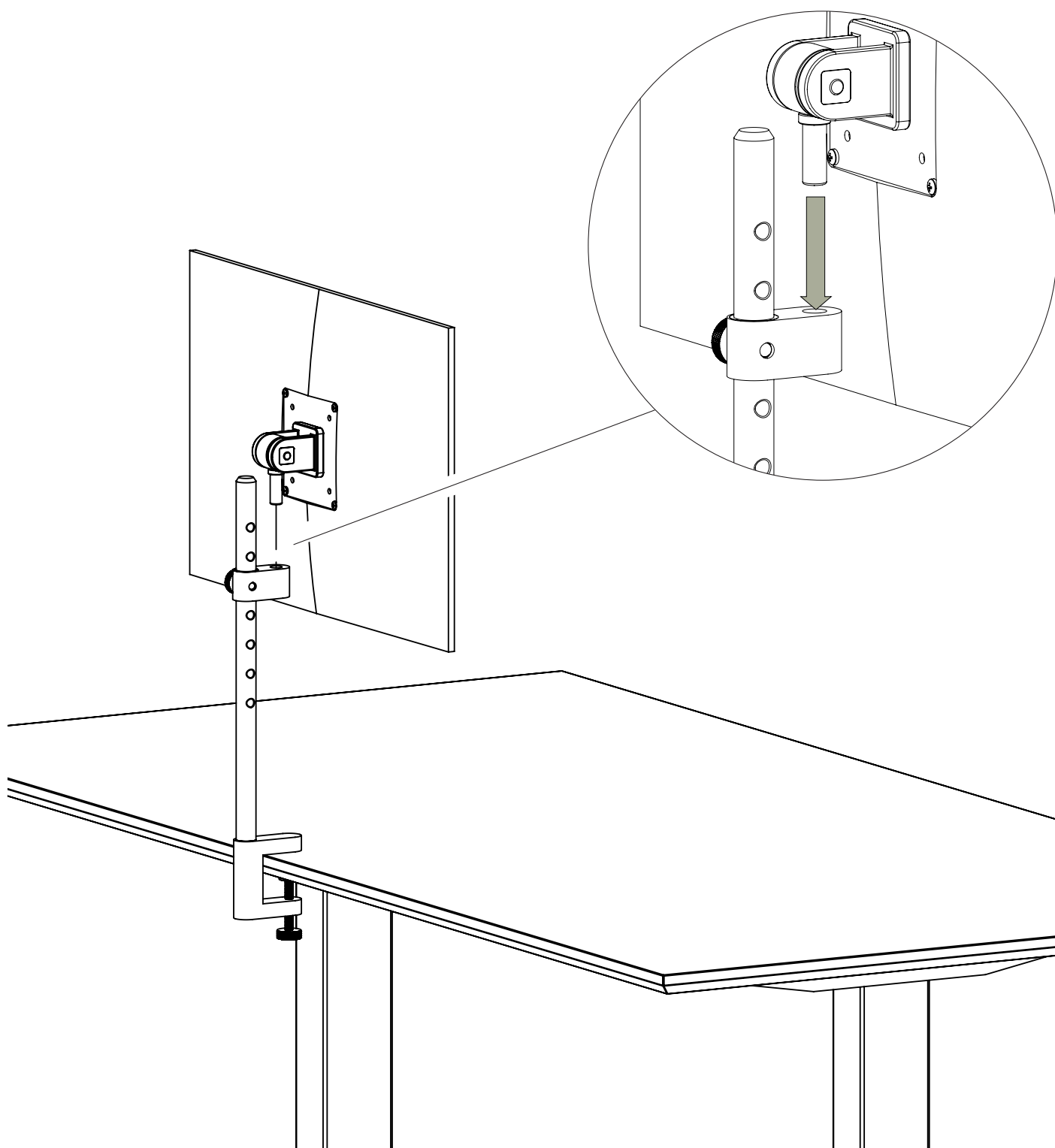
The VESA must be aligned with the display before continuing. Now connect the VESA and display with four size fitting screws. When these are connected, carefully insert the tip of the screwdriver into the hexagon cross section of the screw and turn the screwdriver in a clockwise fashion until the screw has been sufficiently tightened. Repeat the process with the remaining three screws.



APTO

STEP 7

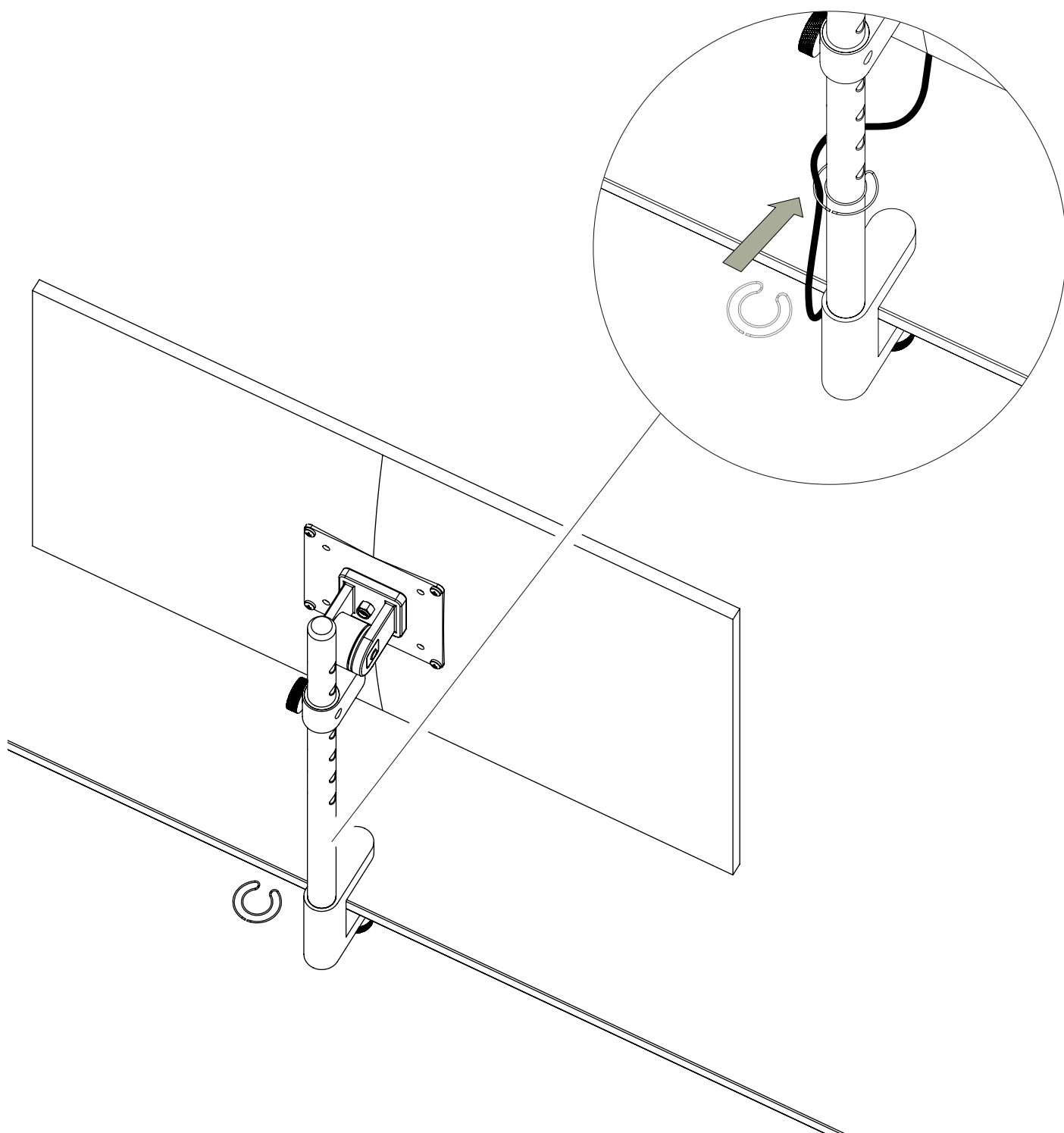
Carefully lead the VESA through the monitor holder's adjustment system.



APTO

STEP 8

Use the enclosed cable clip to control wires and cables from the display.



APTO

Hårup Skovej 2, 8600 Silkeborg, Danmark
+ 45 86 81 23 75 // www.aptocollection.dk

APTO
DANISH DESIGN