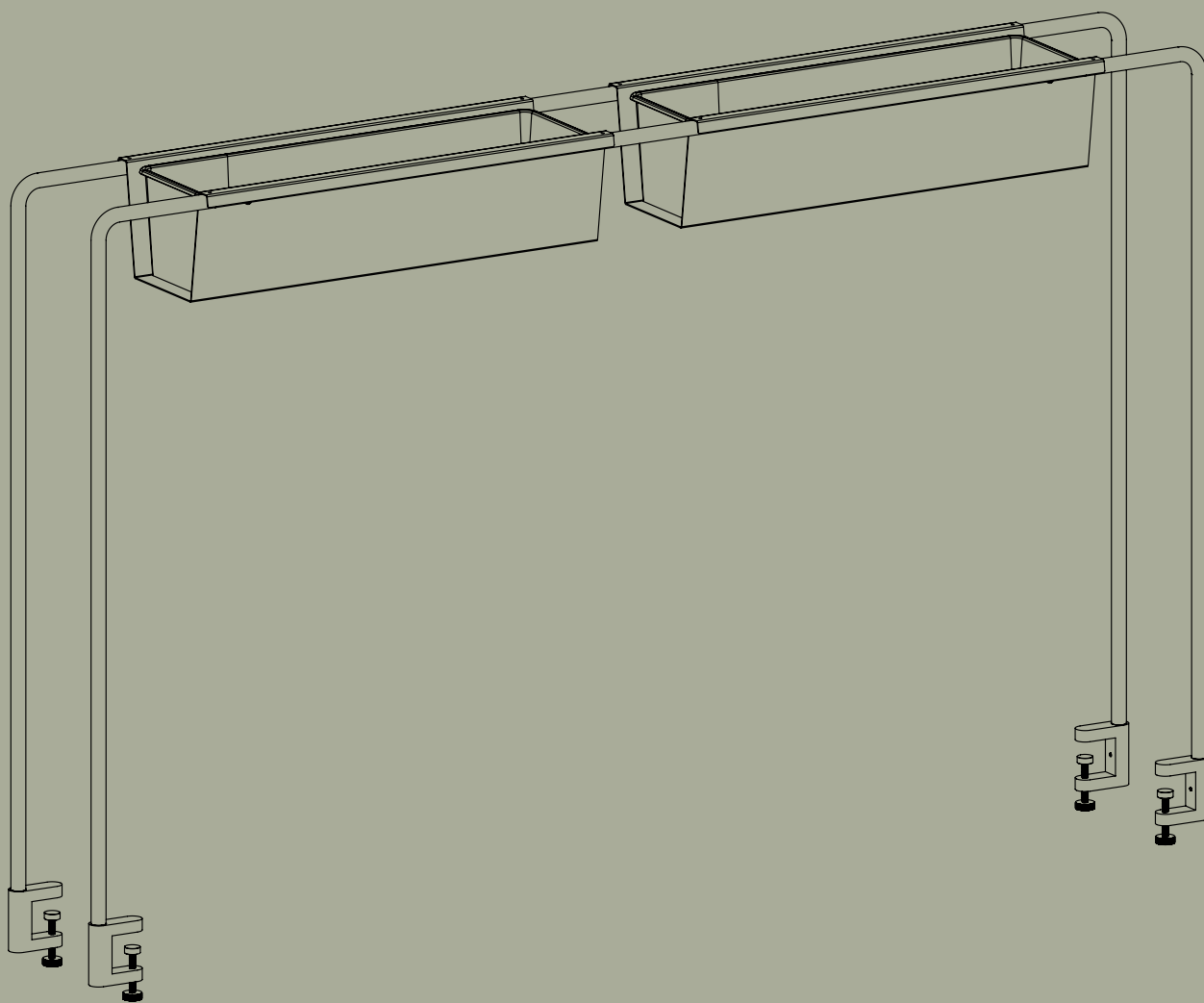


FLOWER HOUSE

DESIGNED BY PJ PRODUCTION & HANS THYGE & CO



APTO

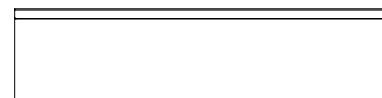
PARTS



4 x tubes for vertically use



2 x for horizontally use



2 x trays



2 x plastic inserts



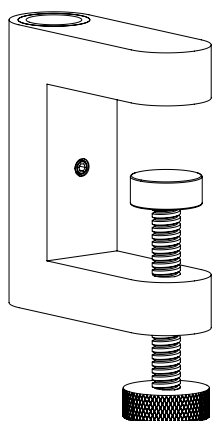
4 x socket screws

FLOWER HOUSE

Nordic Dark Blue: 6000-0053-5008
Danish Dusty Green: 6000-0053-7033
Scandinavian Matte Black: 6000-0053-9000

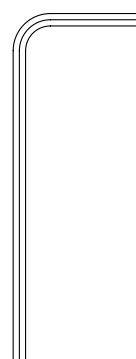
APTO

WHAT YOU WILL NEED



4 x MULTI CLAMPS

Nordic Dark Blue: 6000-0000-5008
Danish Dusty Green: 6000-0000-7033
Scandinavian Matte Black: 6000-0000-9000

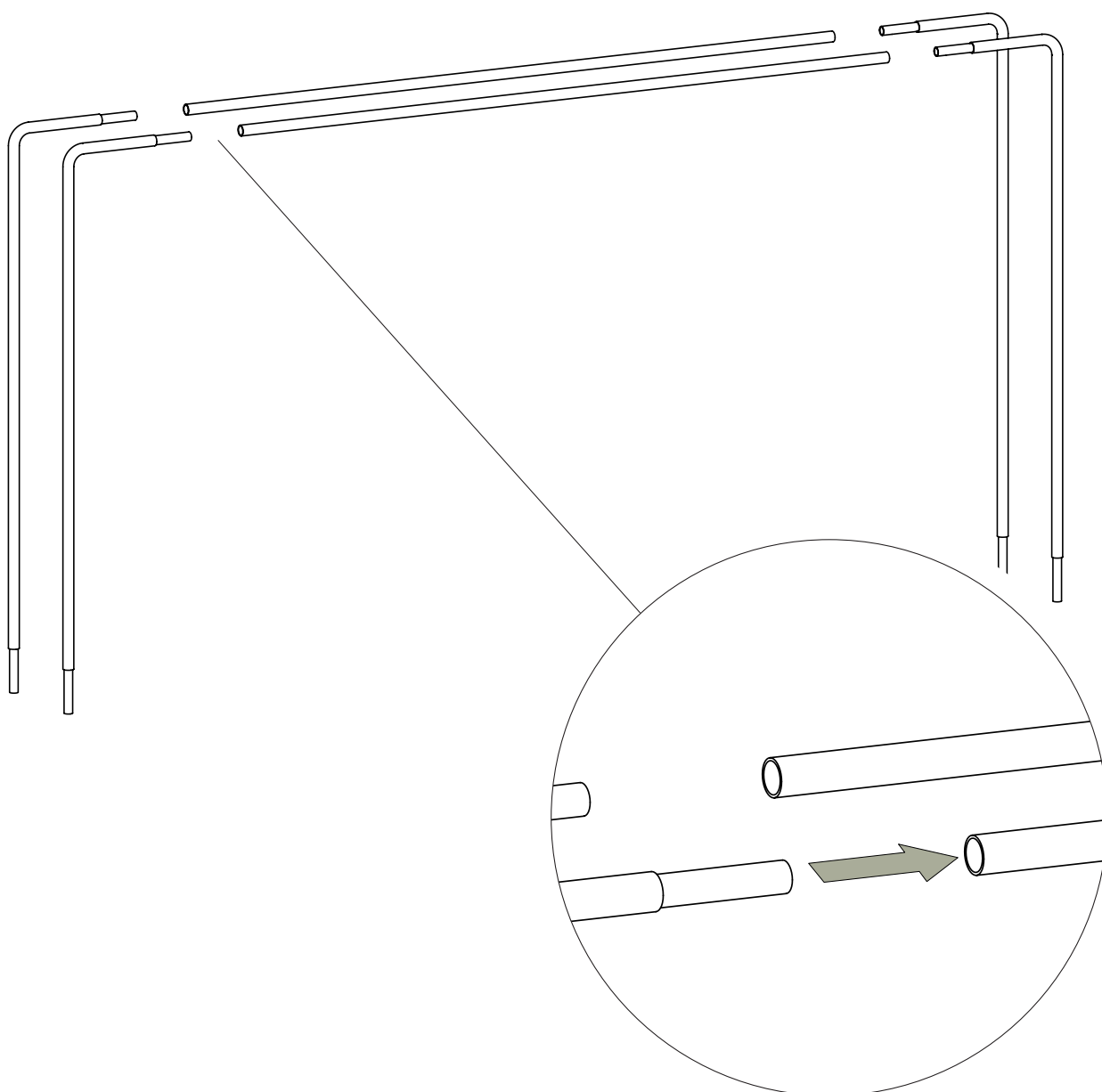


1 x ALLEN WRENCH

The Allen wrench is included in the multi clamp box

STEP 1

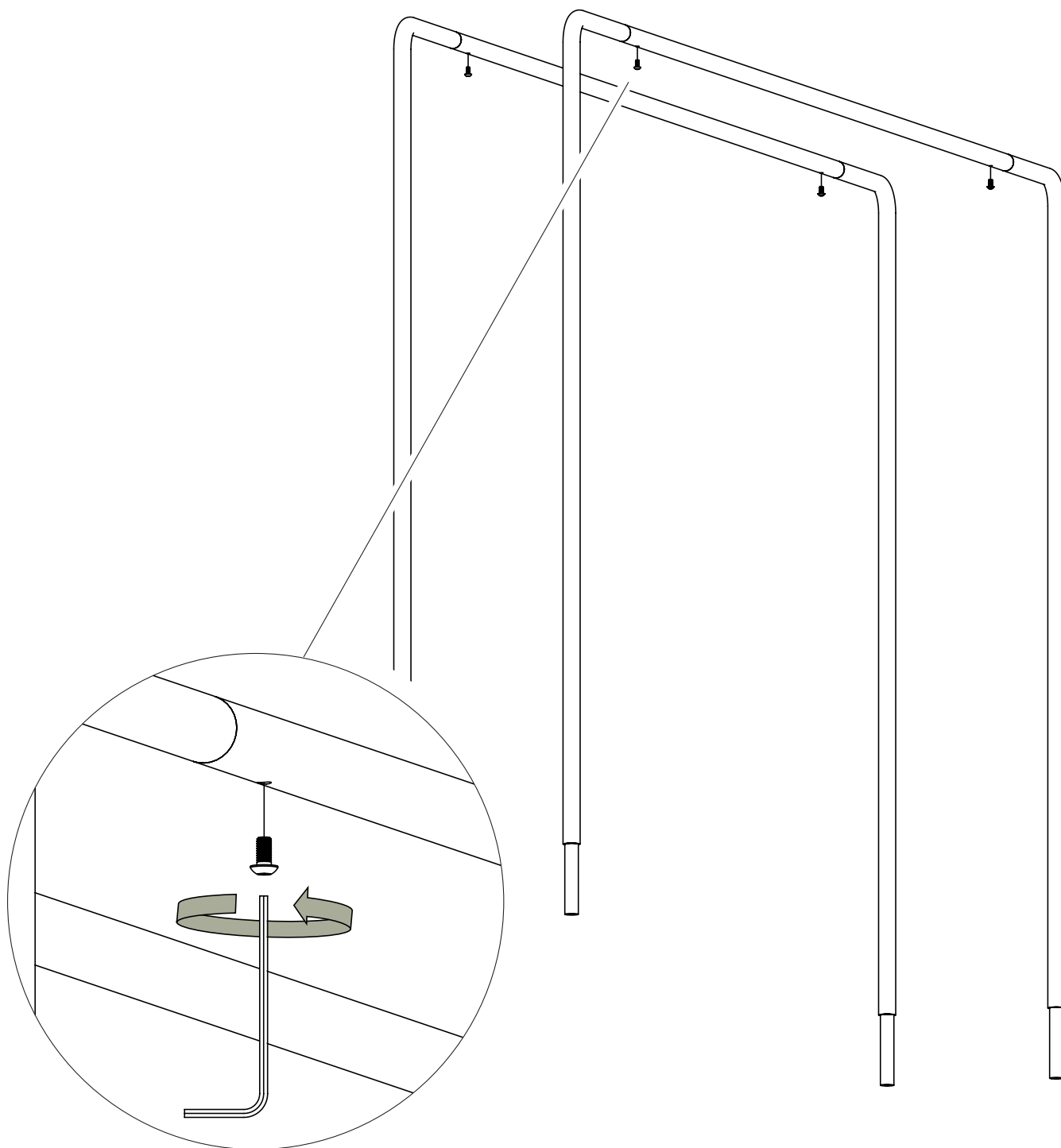
Start by aligning the four vertical tubes with the two horizontal tubes before continuing. Now connect the different tubes together by leading the four vertical tubes into the two horizontal tubes.



APTO

STEP 2

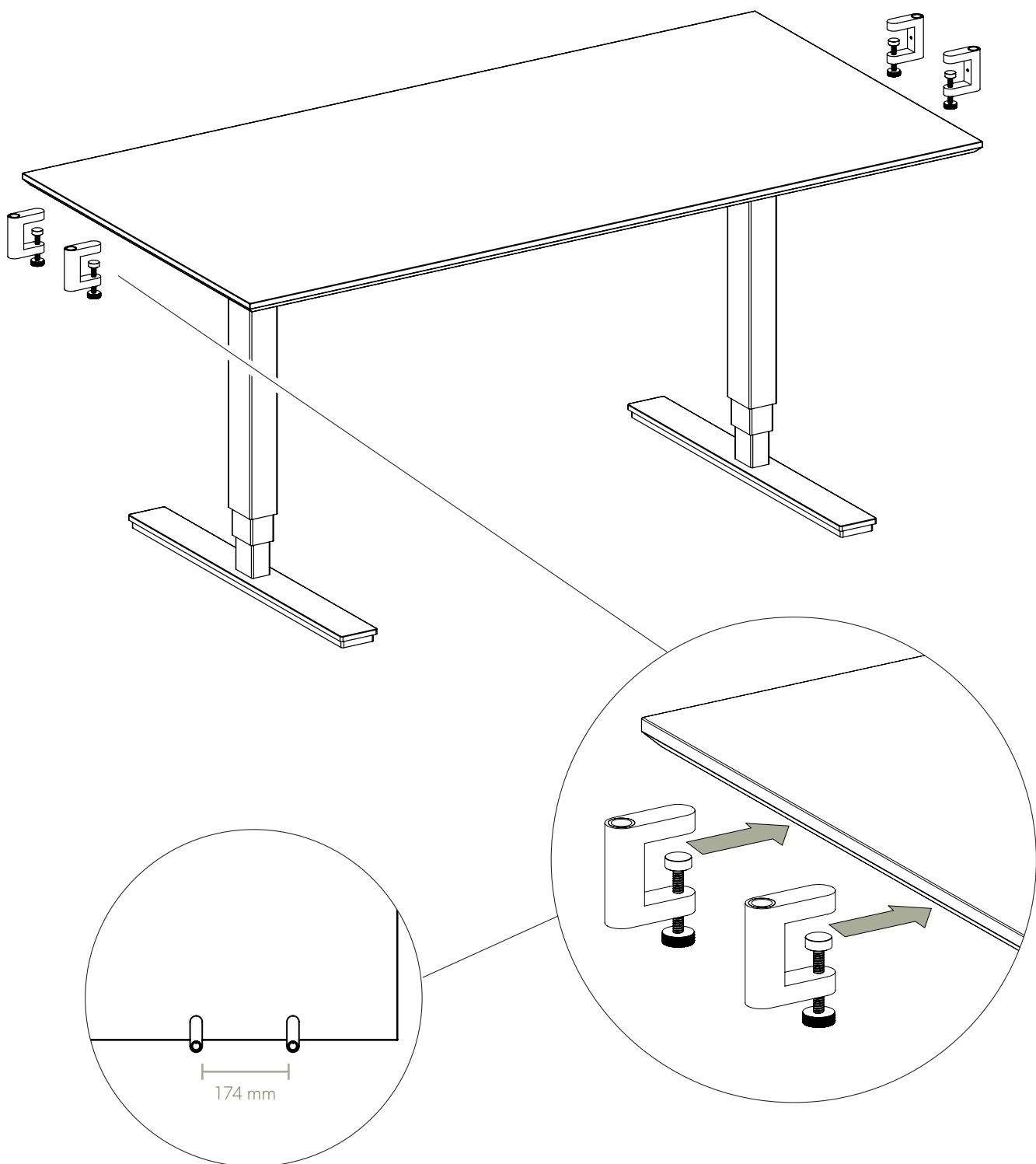
Now carefully insert the tip of the Allen wrench into the hexagon cross section of the socket screw and turn the wrench in a clockwise fashion until the socket screw has been sufficiently tightened. Repeat the process with the remaining three socket screws.



APTO

STEP 3

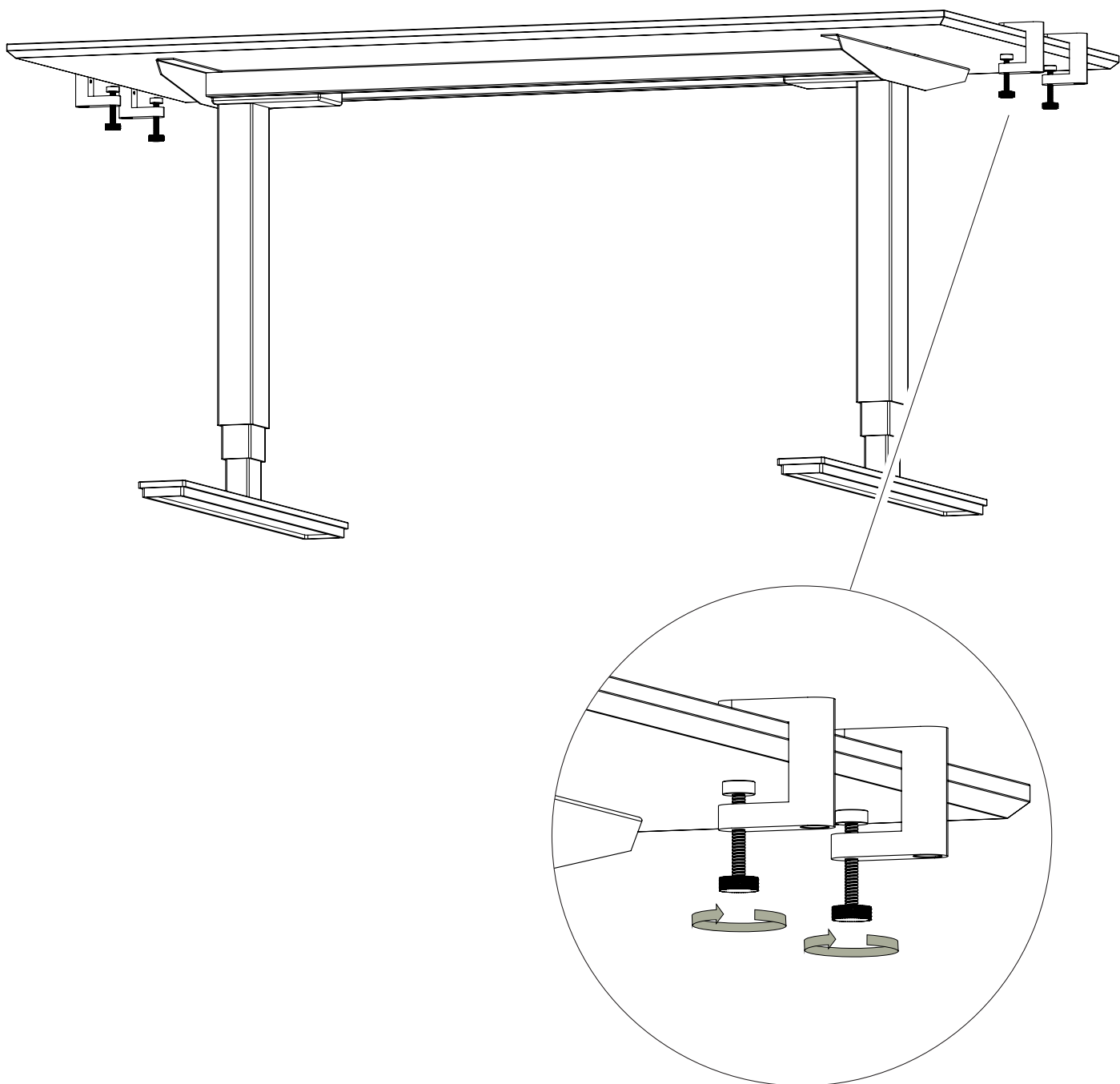
The four multi clamps can now be mounted on the preferred surface. It is noteworthy that these multi clamps must be mounted with a space on 174 mm.



APTO

STEP 4

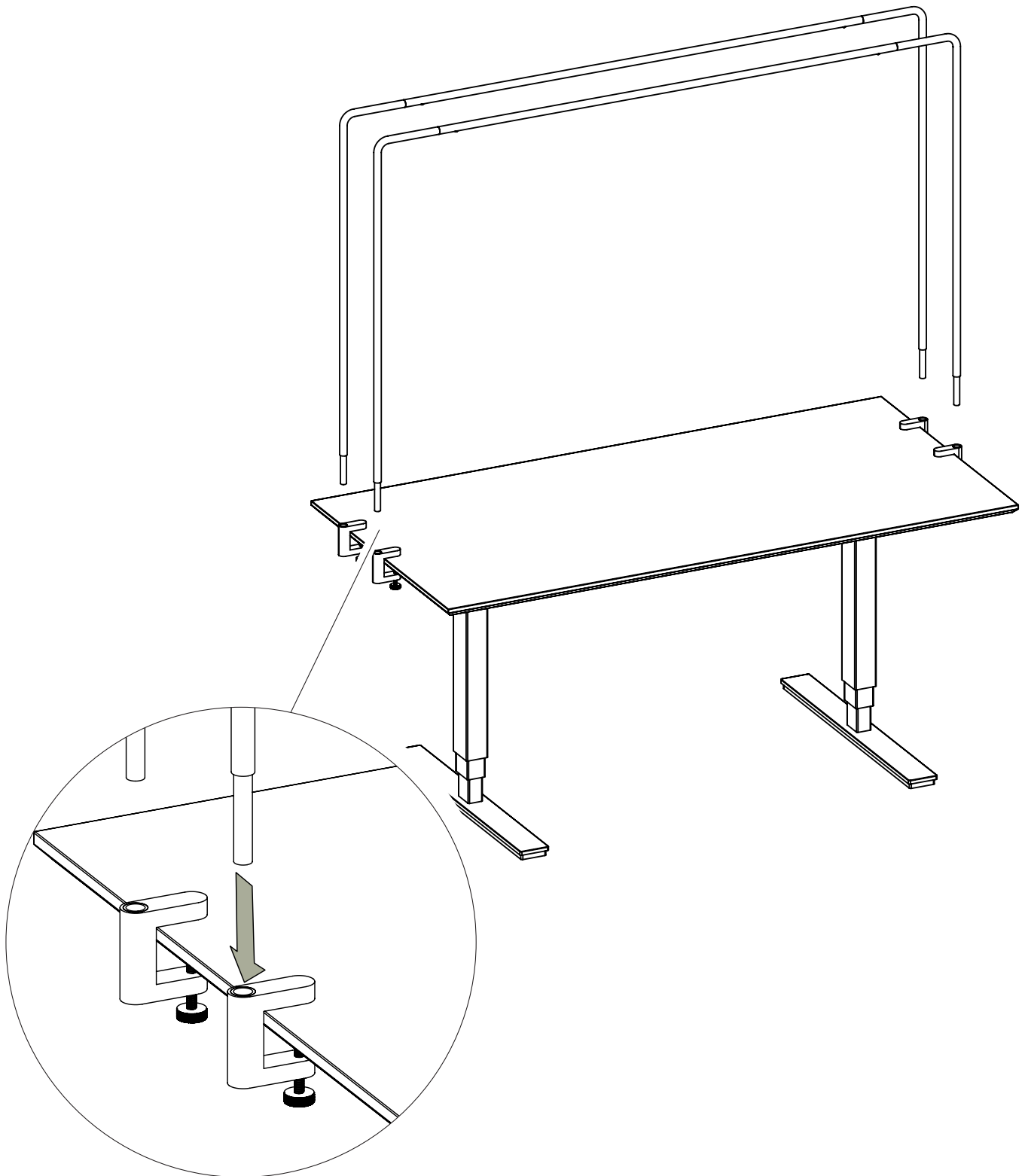
When the placement of the multi clamps is correctly, then tighten the finger screw completely.



APTO

STEP 5

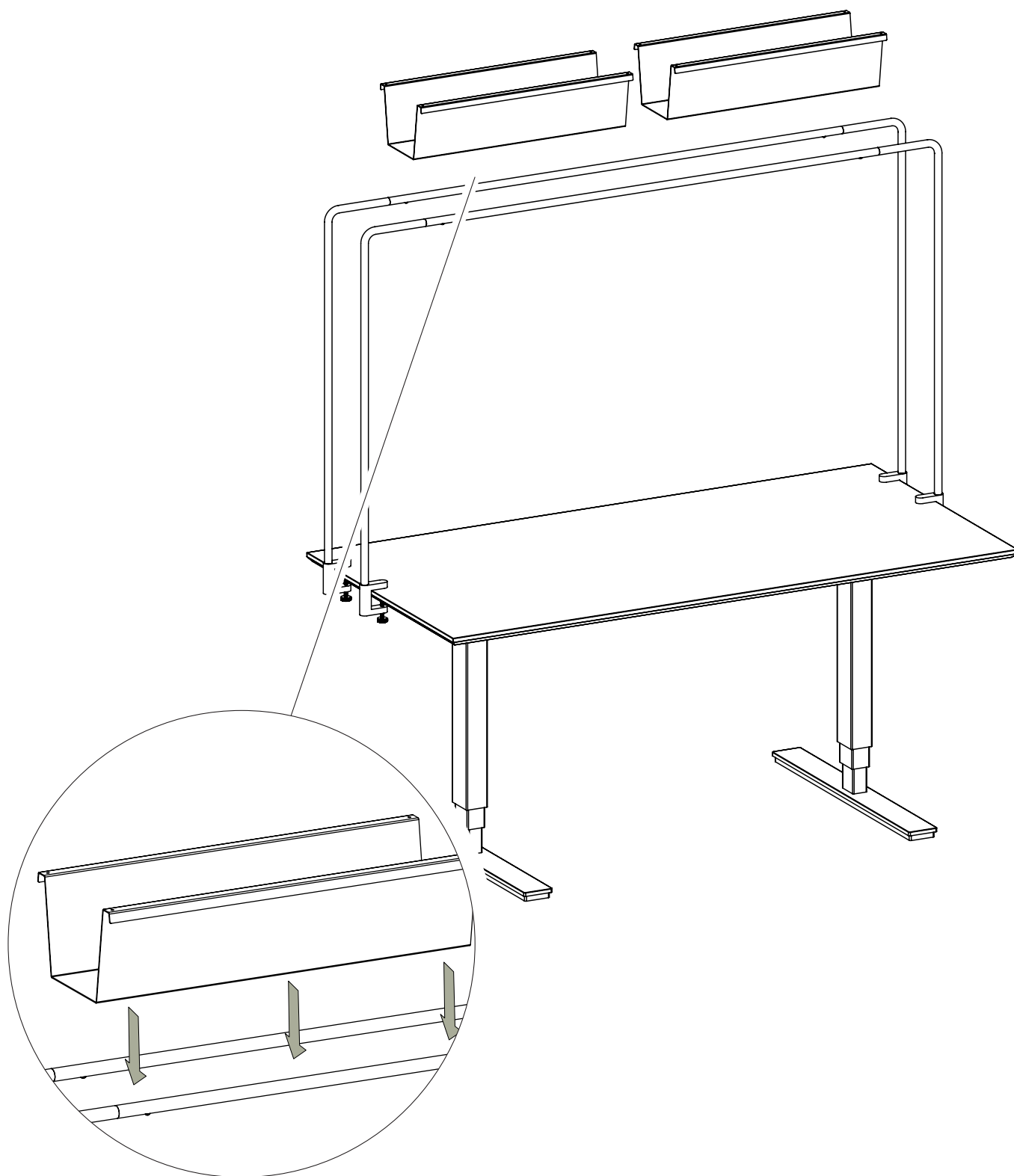
Carefully lead the four tubes through the holes at the top of the four multi clamps.



APTO

STEP 6

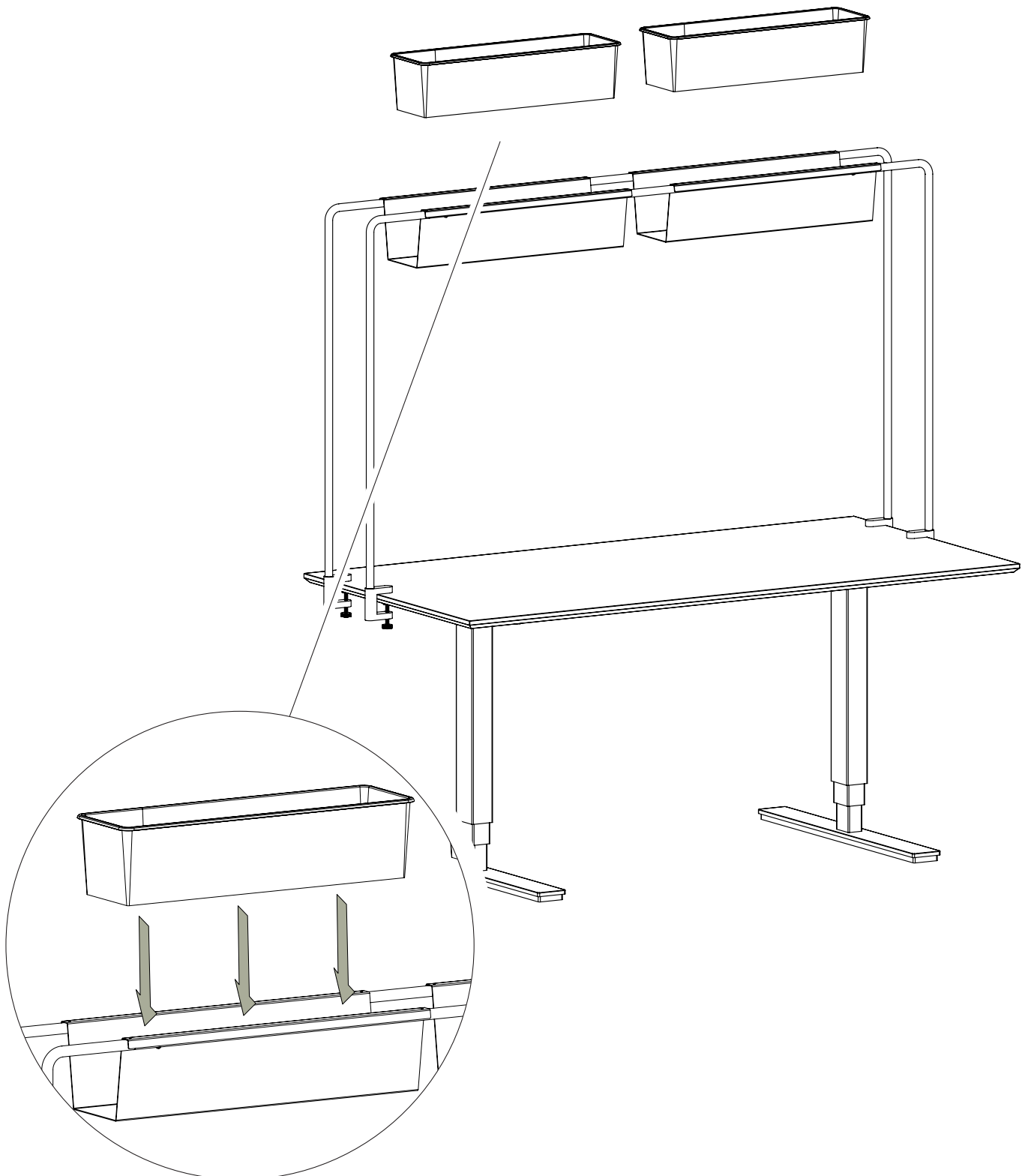
Now carefully lead the trays along the horizontal tubes until the placement of the trays are fastened and secured correctly amongst the two horizontal tubes.



APTO

STEP 7

Now carefully connect the plastic inserts within the placed trays. You are now ready to plant your preferred flowers and/or plants. The flowers can easily be watered either by taking the plastic insert down or by watering the flowers while keeping the position in the flower house.



APTO

Hårup Skovej 2, 8600 Silkeborg, Danmark
+ 45 86 81 23 75 // www.aptocollection.dk

APTO
DANISH DESIGN