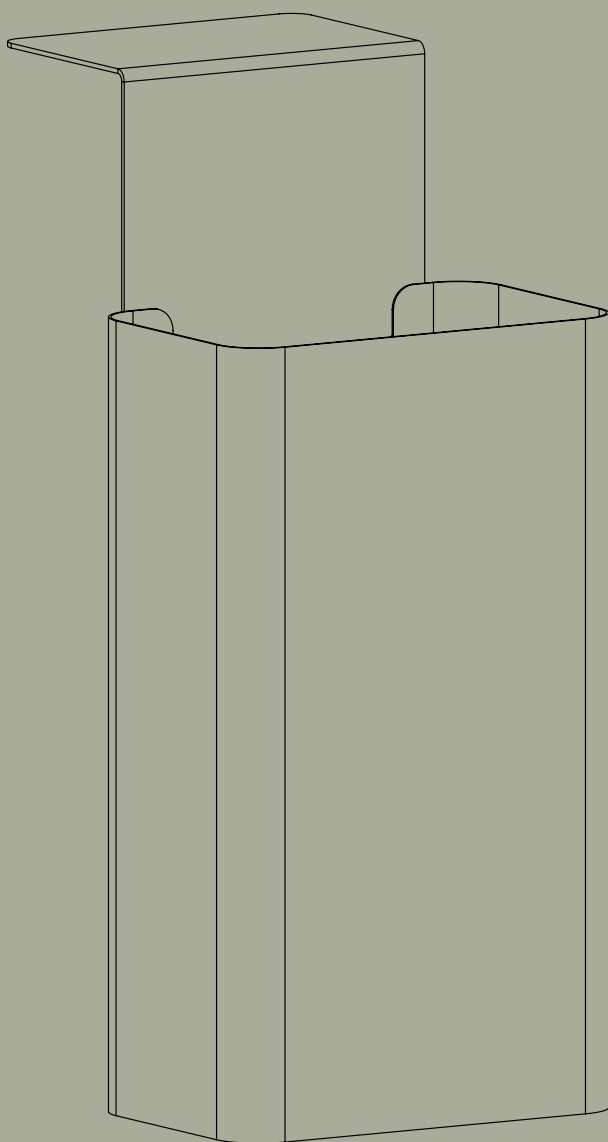


INSTRUCTION MANUAL

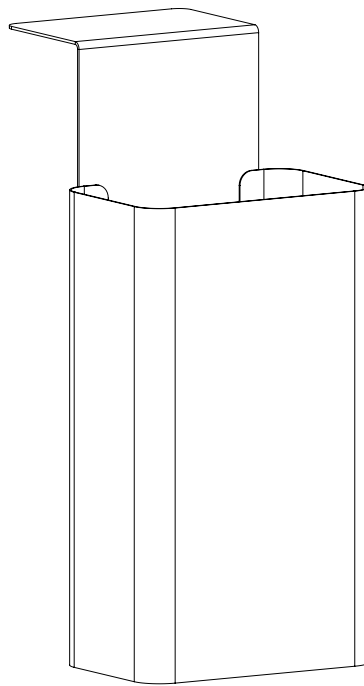
DUSTBIN

DESIGNED BY PJ PRODUCTION & HANS THYGE & CO



APTO

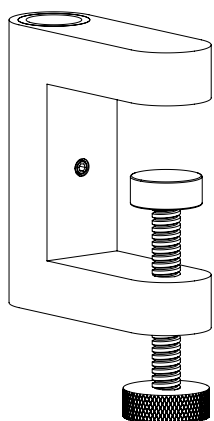
PARTS



DUSTBIN

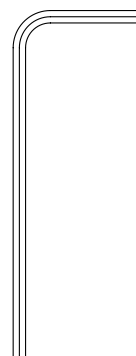
Nordic Dark Blue: 6000-0049-5008
Danish Dusty Green: 6000-0049-7033
Scandinavian Matte Black: 6000-0049-9000

WHAT YOU WILL NEED



1 x MULTI CLAMP

Nordic Dark Blue: 6000-0000-5008
Danish Dusty Green: 6000-0000-7033
Scandinavian Matte Black: 6000-0000-9000

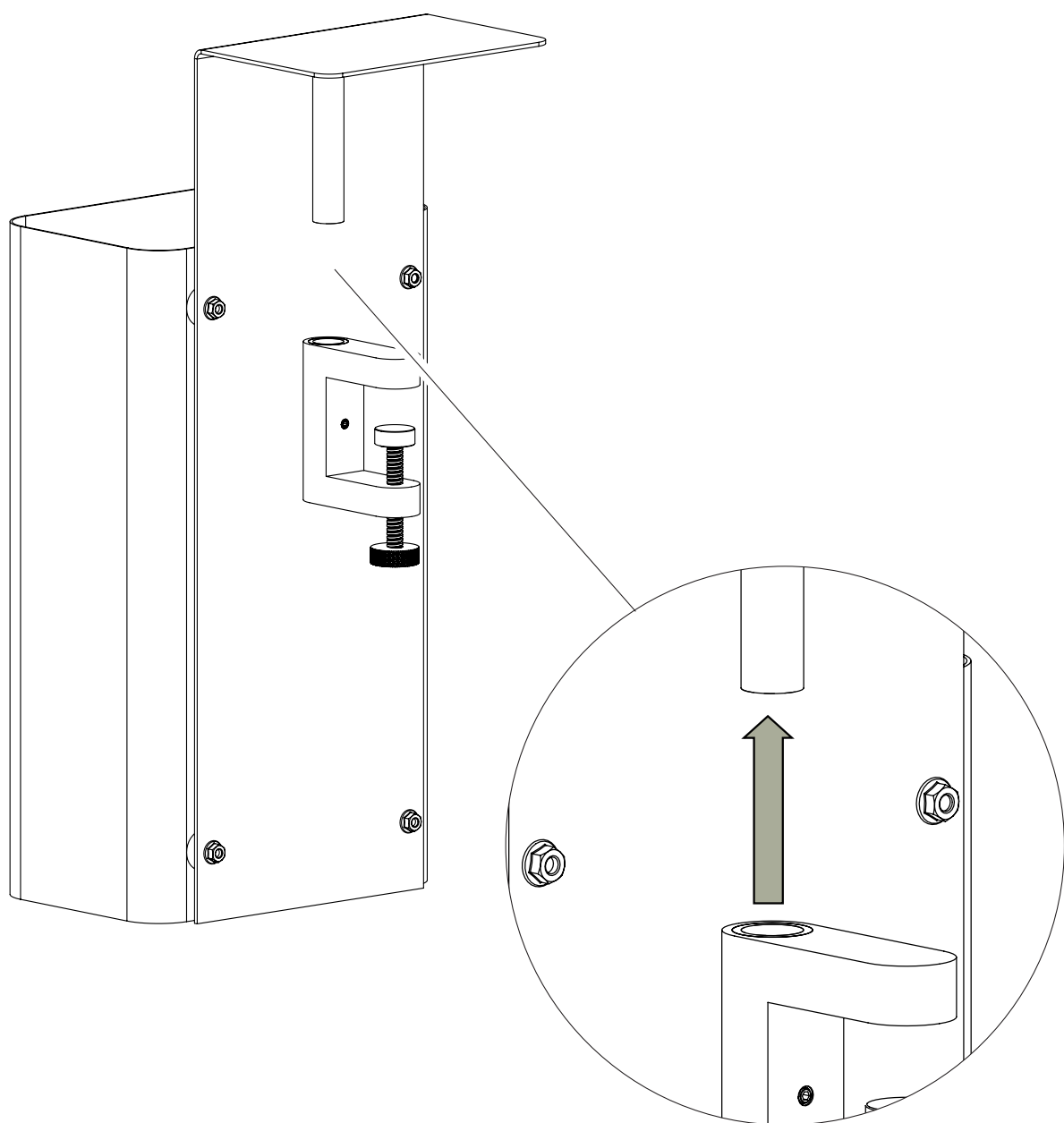


1 x ALLEN WRENCH

The Allen wrench is included in the multi clamp box

STEP 1

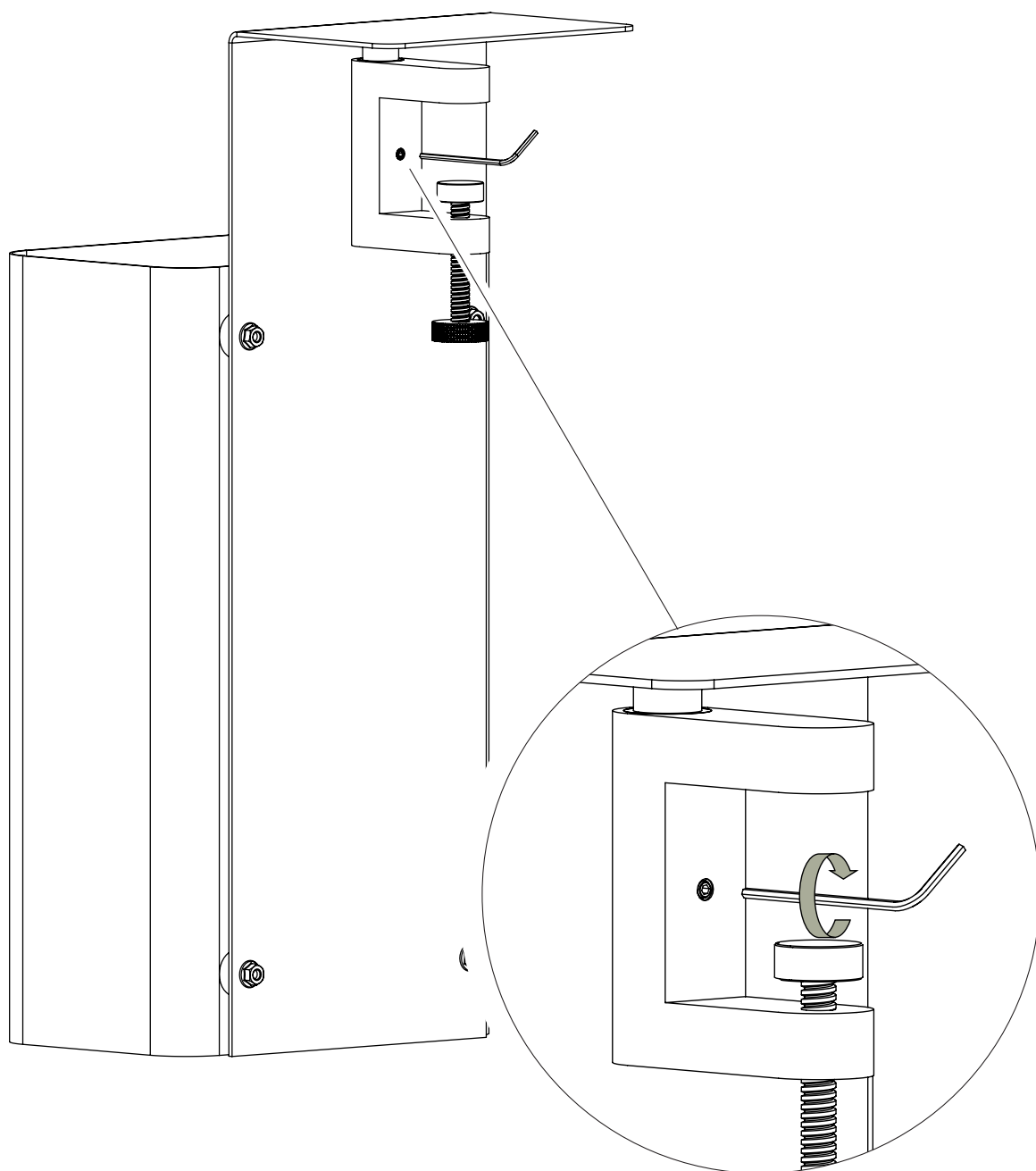
Carefully lead the tube through the hole at the top of the multi clamp.



APTO

STEP 2

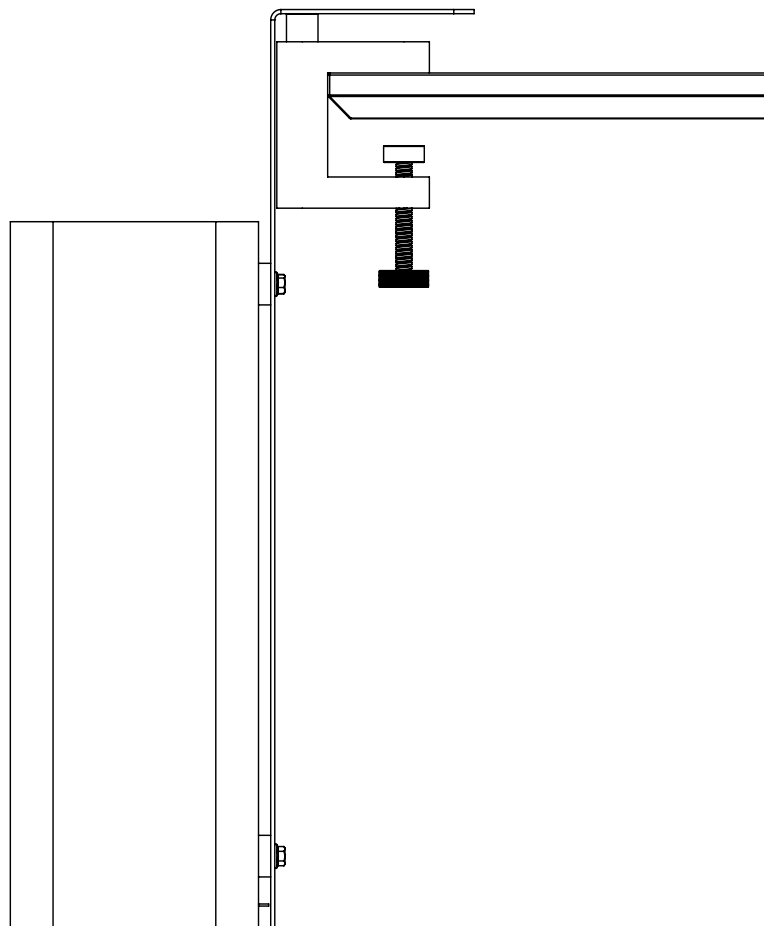
The finger screw must be open entirely before continuing. Now carefully insert the tip of the Allen wrench into the hexagon cross section of the socket screw and turn the wrench in a clockwise fashion until the socket screw has been sufficiently tightened.



APTO

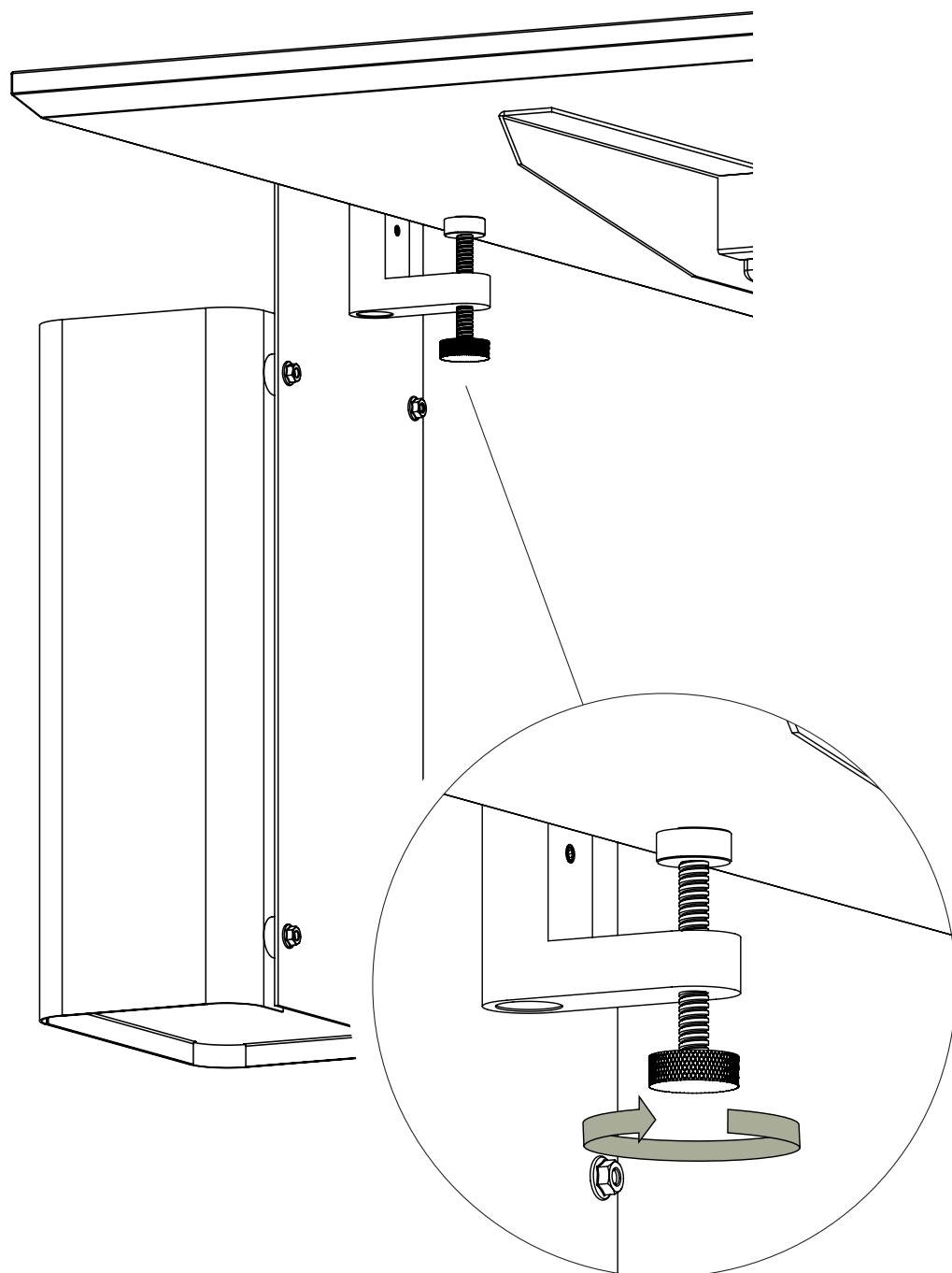
STEP 3

The dustbin can now be attached to the preferred surface.



STEP 4

When the placement of the dustbin is correctly, then tighten the finger screw completely.



APTO

Hårup Skovej 2, 8600 Silkeborg, Danmark
+ 45 86 81 23 75 // www.aptocollection.dk

APTO
DANISH DESIGN