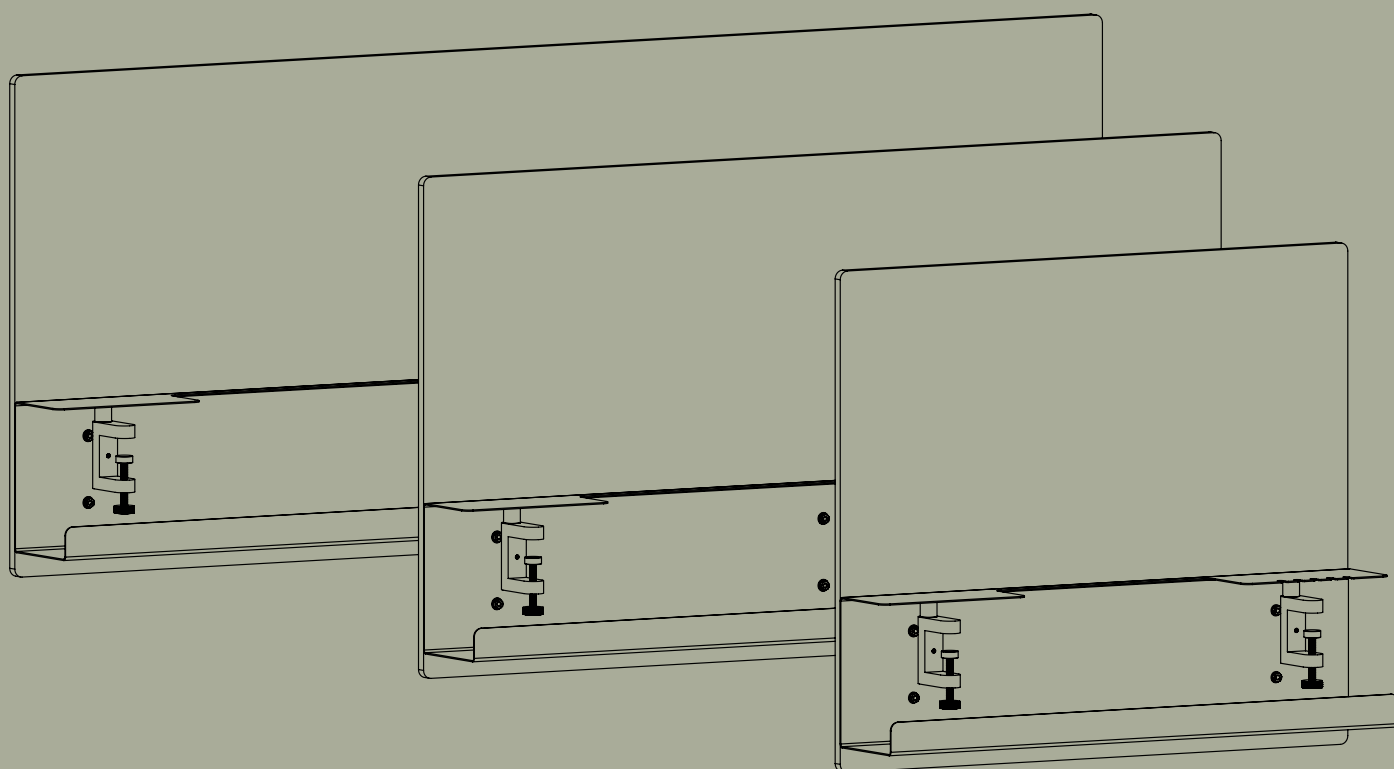


CABLE MANAGEMENT

DESIGNED BY PJ PRODUCTION & HANS THYGE & CO



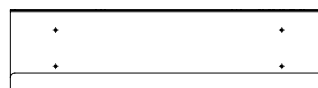
APTO

PARTS

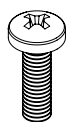
This instruction manual is equal for following: cable management - 700 mm, cable management - 1100 mm, and cable management - 1500 mm. The different parts for cable management - 700 mm is illuminated below. Note: the instruction manual is made with the large version measuring 1500 mm.



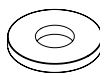
1 x felt wall - 700 mm



1 x cable management - 700 mm



4 x screws



4 x spacers



4 x nuts

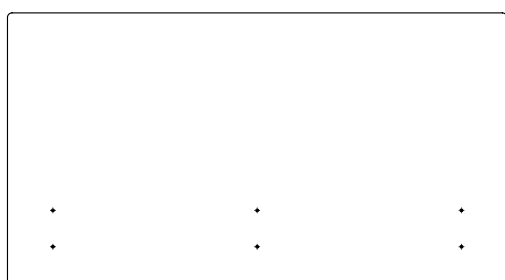
CABLE MANAGEMENT - 700 MM

Nordic Dark Blue: 6000-0024-5008
Danish Dusty Green: 6000-0024-7033
Scandinavian Matte Black: 6000-0024-9000

APTO

PARTS

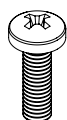
This instruction manual is equal for following: cable management - 700 mm, cable management - 1100 mm, and cable management - 1500 mm. The different parts for cable management - 1100 mm is illuminated below. Note: the instruction manual is made with the large version measuring 1500 mm.



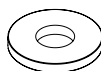
1 x felt wall - 1100 mm



1 x cable management - 1100 mm



6 x screws



6 x spacers



6 x nuts

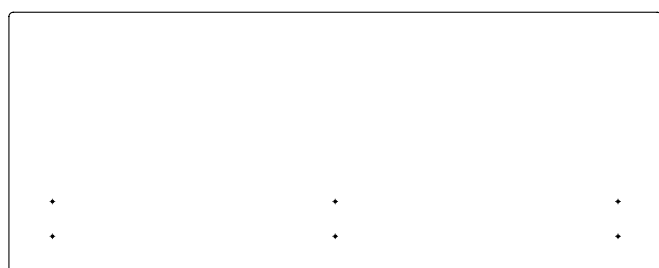
CABLE MANAGEMENT - 1100 MM

Nordic Dark Blue: 6000-0029-5008
Danish Dusty Green: 6000-0029-7033
Scandinavian Matte Black: 6000-0029-9000

APTO

PARTS

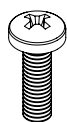
This instruction manual is equal for following: cable management - 700 mm, cable management - 1100 mm, and cable management - 1500 mm. The different parts for cable management - 1500 mm is illuminated below. Note: the instruction manual is made with the large version measuring 1500 mm.



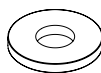
1 x felt wall - 1500 mm



1 x cable management - 1500 mm



6 x screws



6 x spacers



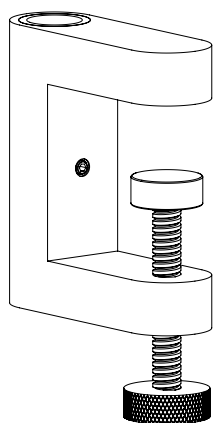
6 x nuts

CABLE MANAGEMENT - 1500 MM

Nordic Dark Blue: 6000-0074-5008
Danish Dusty Green: 6000-0074-7033
Scandinavian Matte Black: 6000-0074-9000

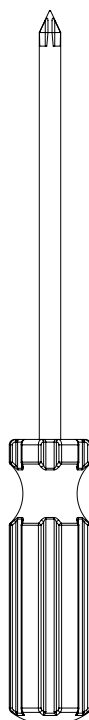
APTO

WHAT YOU WILL NEED



2 x MULTI CLAMPS

Nordic Dark Blue: 6000-0000-5008
Danish Dusty Green: 6000-0000-7033
Scandinavian Matte Black: 6000-0000-9000



1 x SCREWDRIVER

One screwdriver. Please note that this is not included!

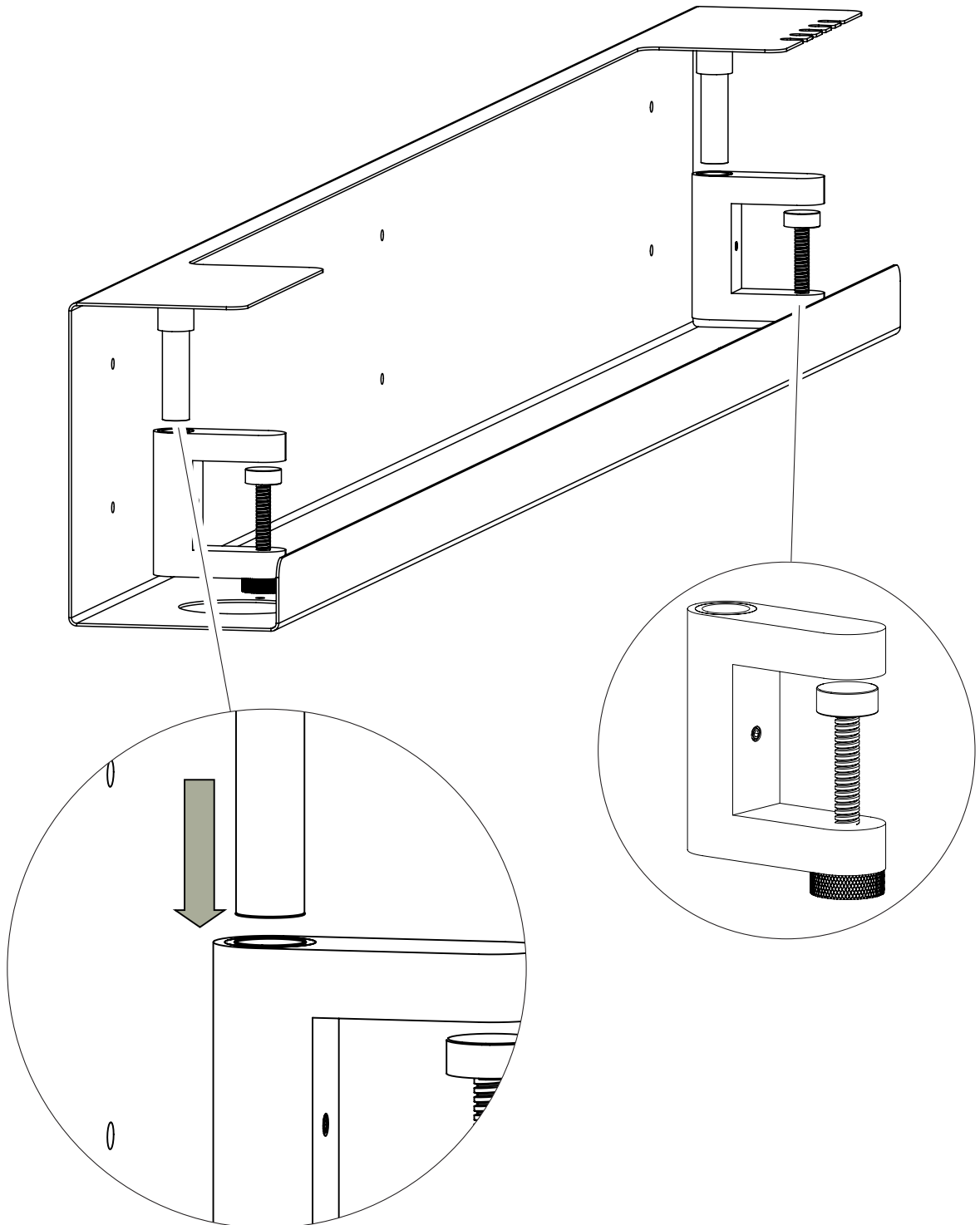


1 x ALLEN WRENCH

The Allen wrench is included in the multi clamp box

STEP 1

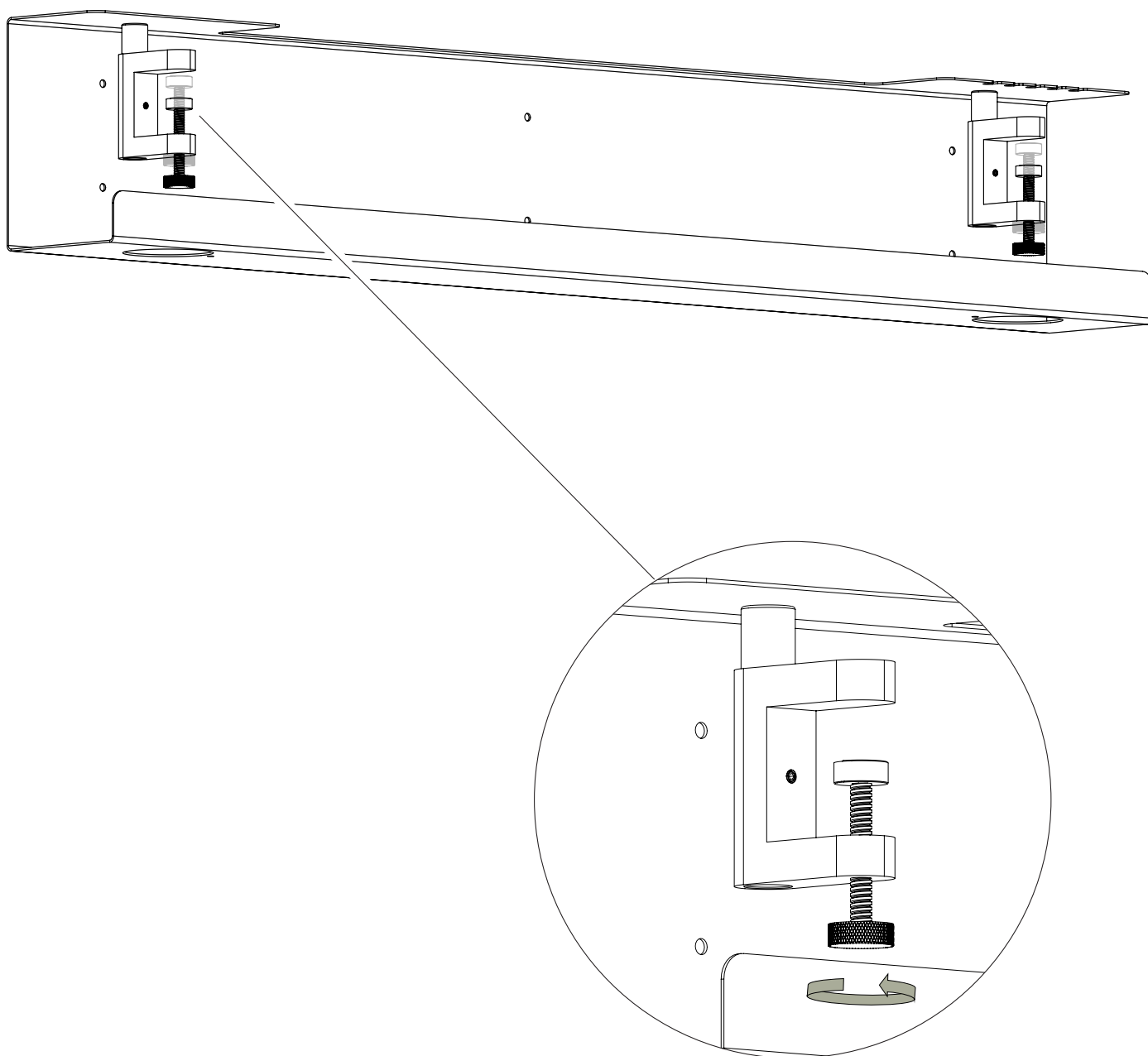
The finger screw must be closed entirely before continuing. Now carefully lead the tube through the hole at the top of the multi clamp.



APTO

STEP 2

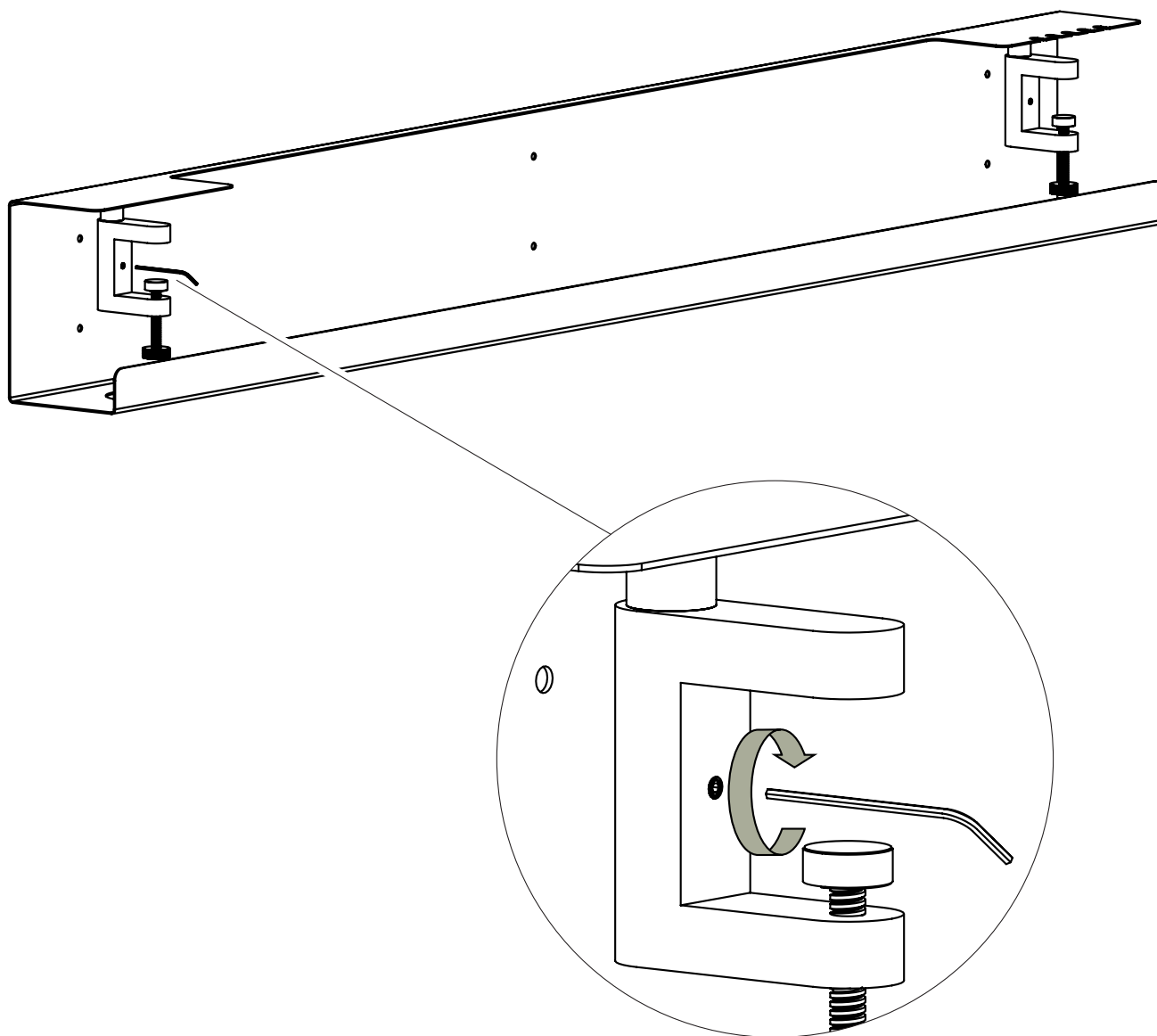
When the multi clamps have been connected to the tube, then open the finger screw entirely before continuing.



APTO

STEP 3

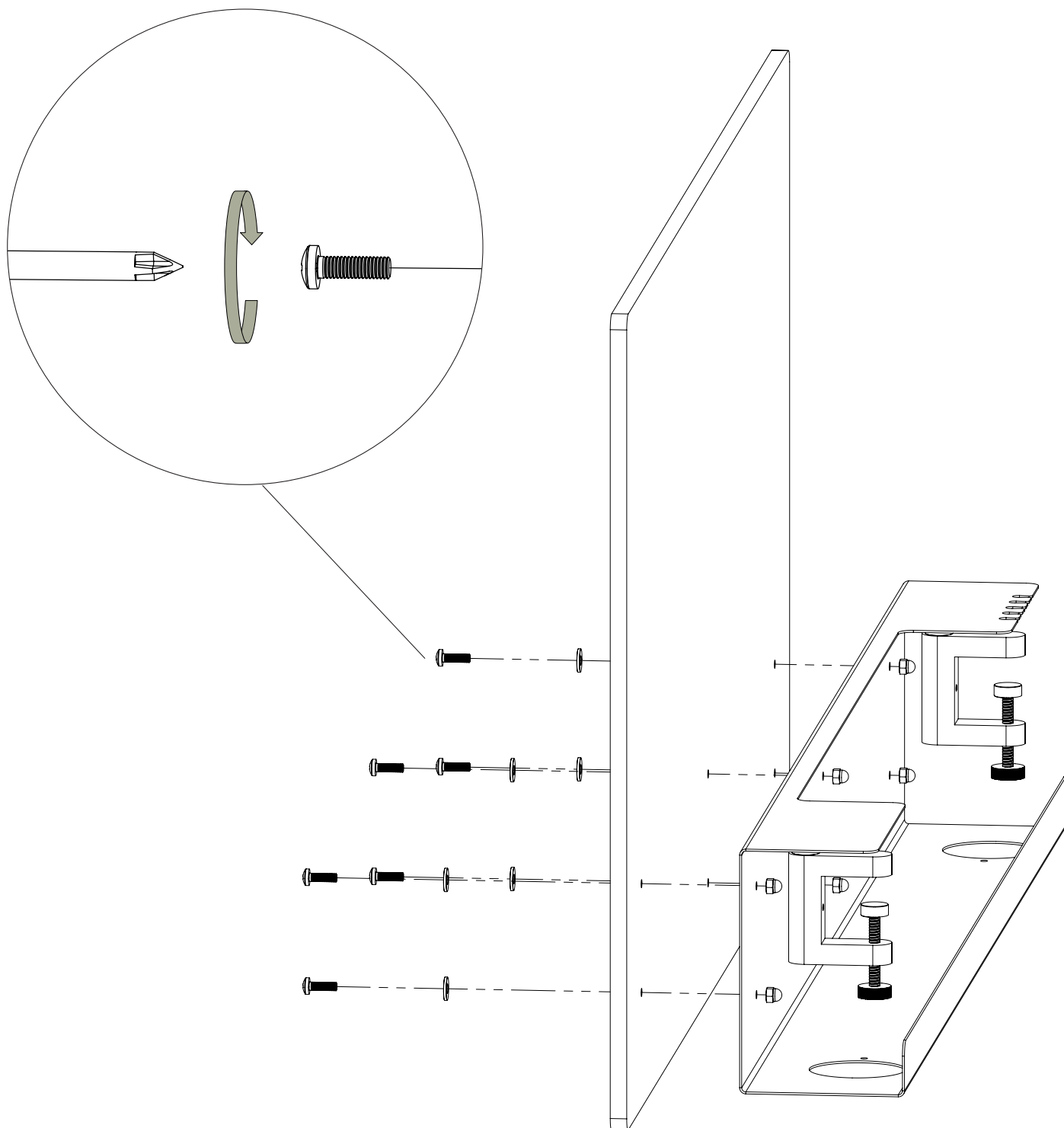
Now carefully insert the tip of the Allen wrench into the hexagon cross section of the socket screw and turn the wrench in a clockwise fashion until the socket screw has been sufficiently tightened.



APTO

STEP 4

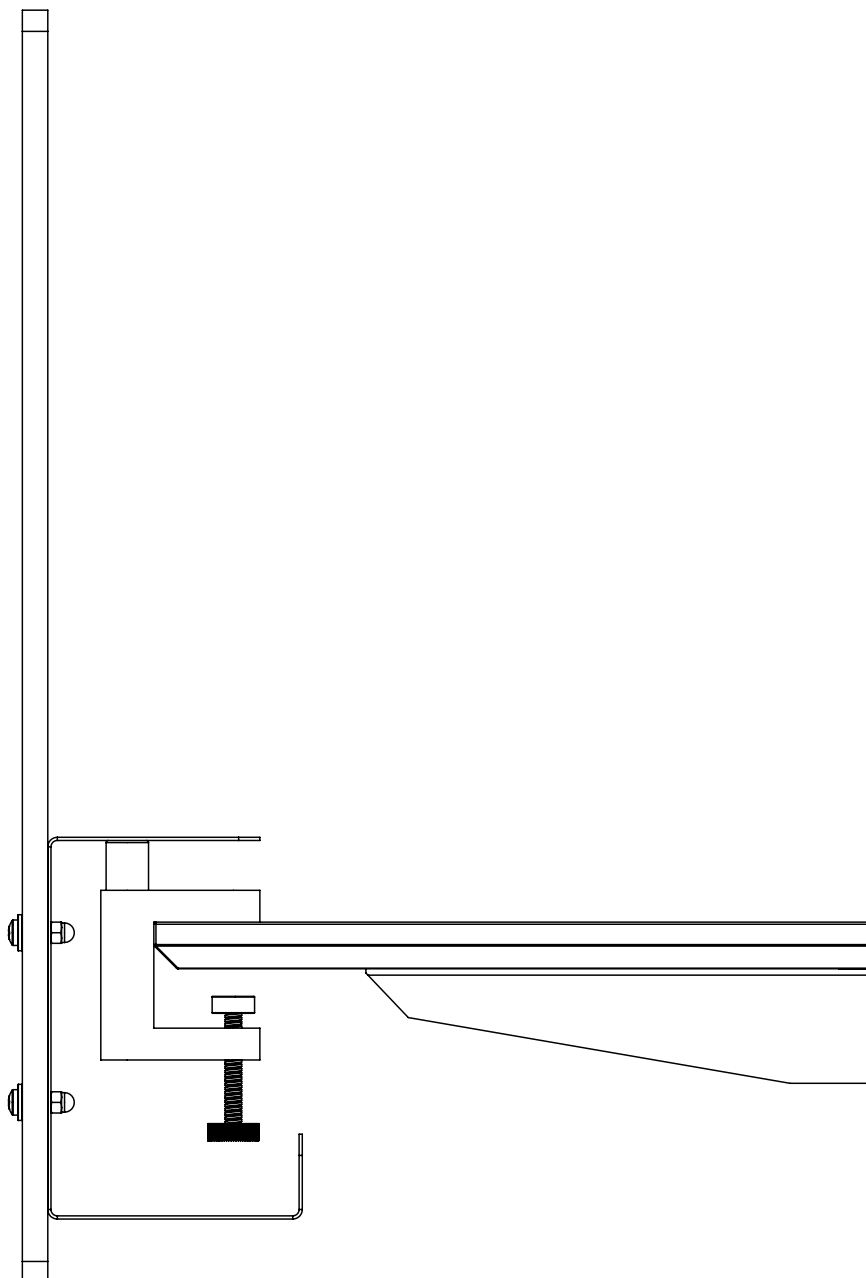
The felt wall must be aligned with the cable management before continuing. Now connect the felt wall and cable management with either four or six screws, spacers, and nuts, - depending on the size of the cable management. When these are connected, carefully insert the tip of the screwdriver into the hexagon cross section of the screw and turn the screwdriver in a clockwise fashion until the screw has been sufficiently tightened. Repeat the process with the remaining screws.



APTO

STEP 5

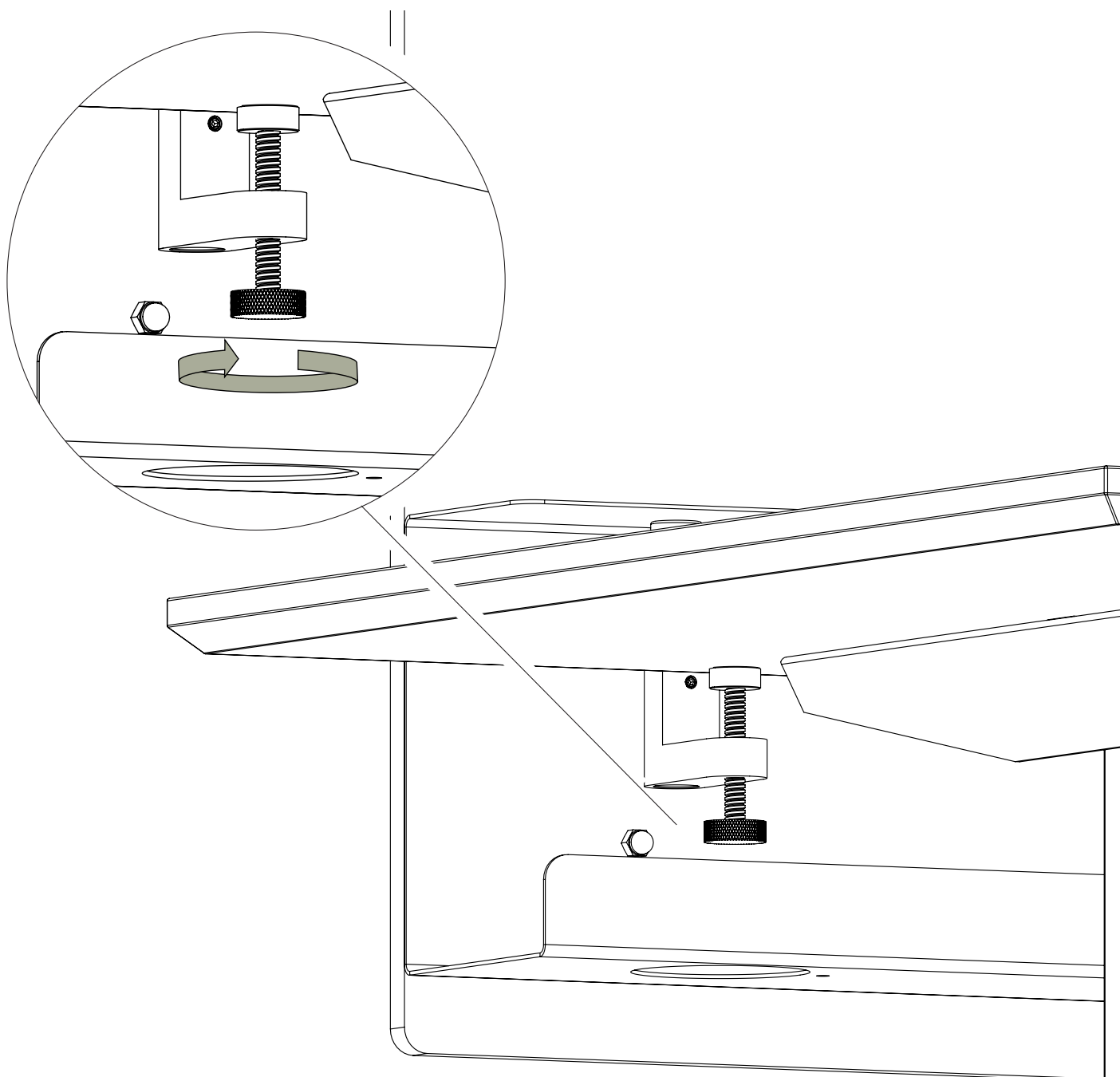
The cable management can now be attached to the preferred surface.



APTO

STEP 6

When the placement of the cable management is correctly, then tighten the finger screw completely.



APTO

Hårup Skovej 2, 8600 Silkeborg, Danmark
+ 45 86 81 23 75 // www.aptocollection.dk

APTO
DANISH DESIGN