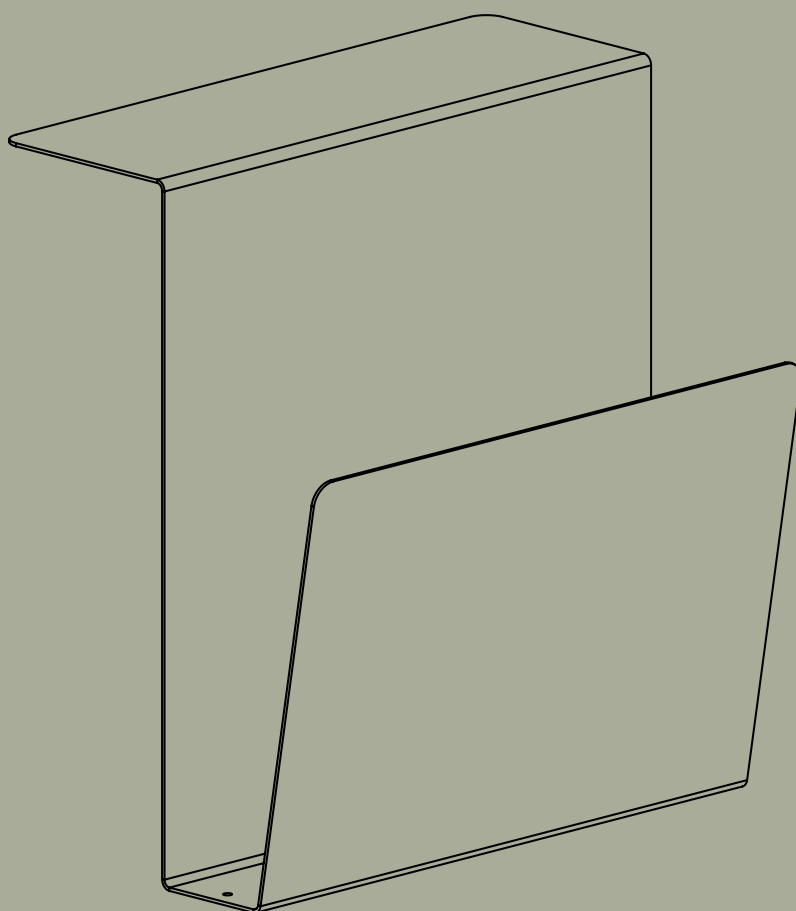


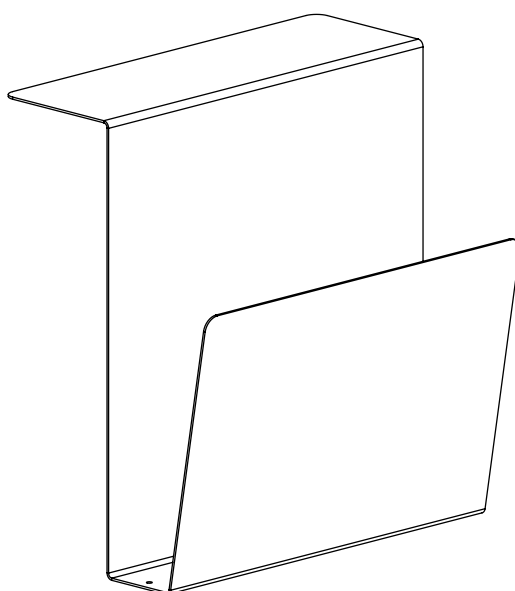
# BOOKSHELF

DESIGNED BY PJ PRODUCTION & HANS THYGE & CO



APTO

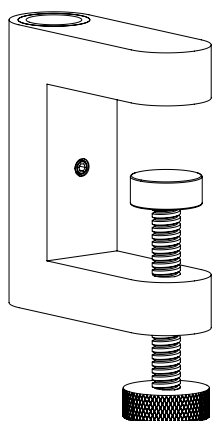
# PARTS



BOOKSHELF

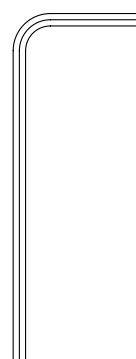
Nordic Dark Blue: 6000-0037-5008  
Danish Dusty Green: 6000-0037-7033  
Scandinavian Matte Black: 6000-0037-9000

# WHAT YOU WILL NEED



1 x MULTI CLAMP

Nordic Dark Blue: 6000-0000-5008  
Danish Dusty Green: 6000-0000-7033  
Scandinavian Matte Black: 6000-0000-9000

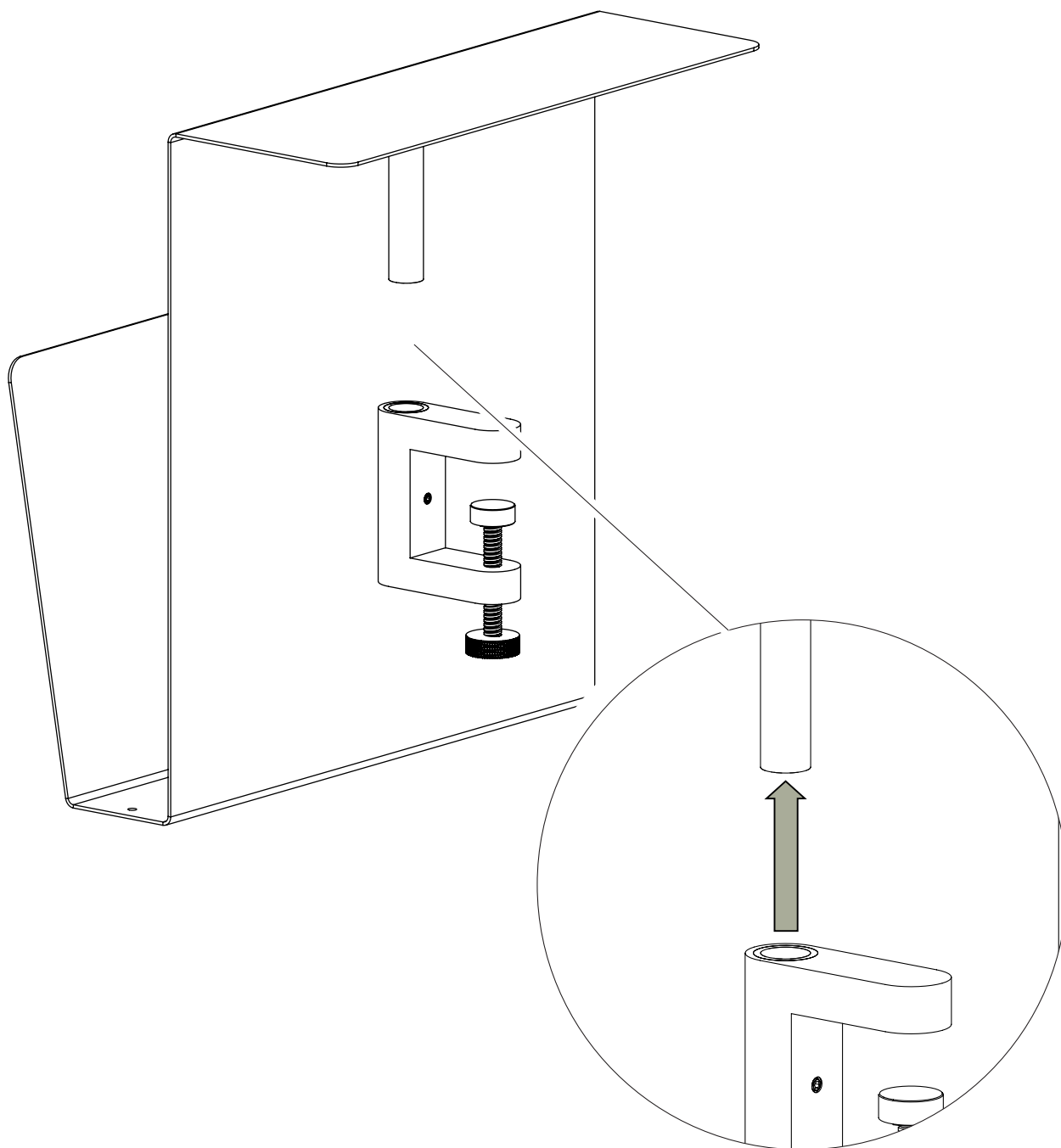


1 x ALLEN WRENCH

The Allen wrench is included in the multi clamp box

# STEP 1

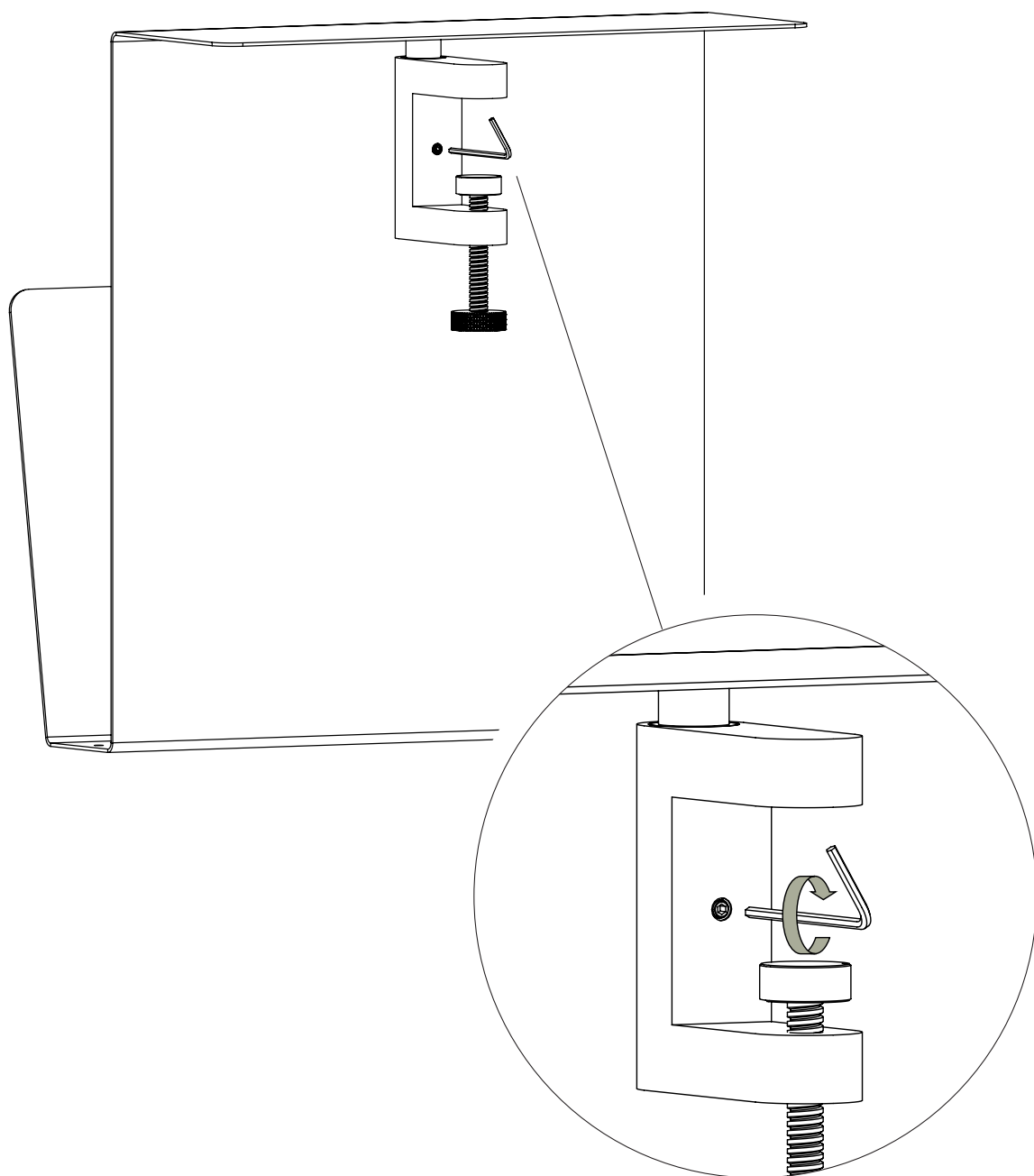
Carefully lead the tube through the hole at the top of the multi clamp.



# APTO

## STEP 2

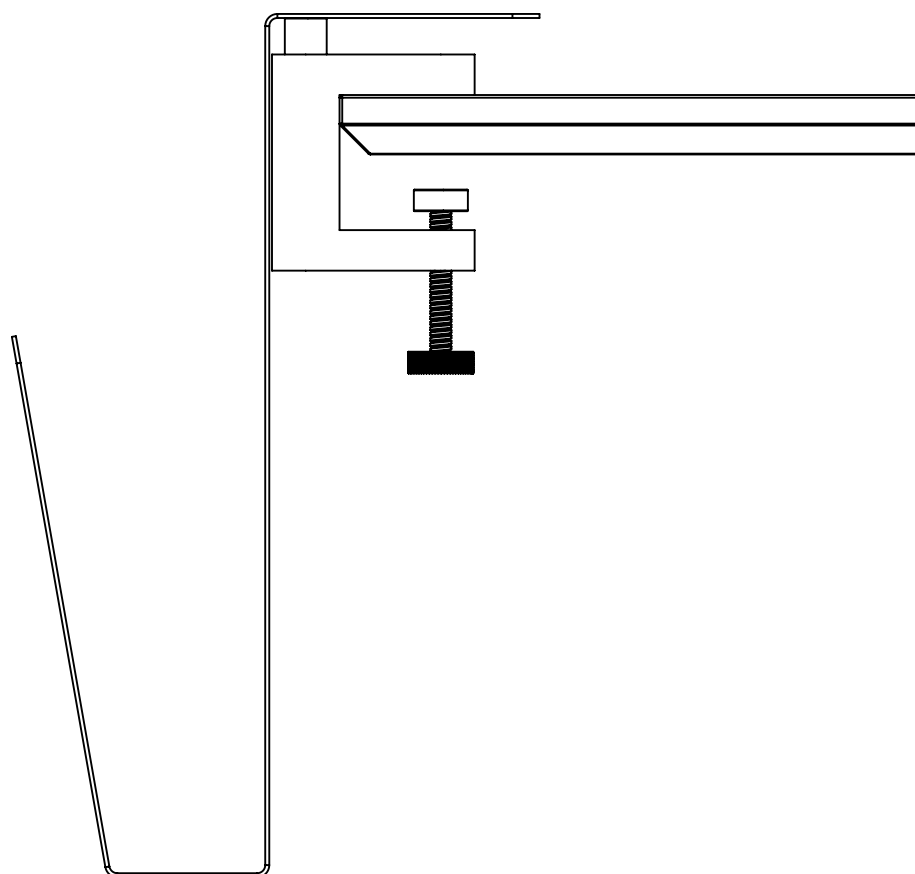
The finger screw must be open entirely before continuing. Now carefully insert the tip of the Allen wrench into the hexagon cross section of the socket screw and turn the wrench in a clockwise fashion until the socket screw has been sufficiently tightened.



# APTO

## STEP 3

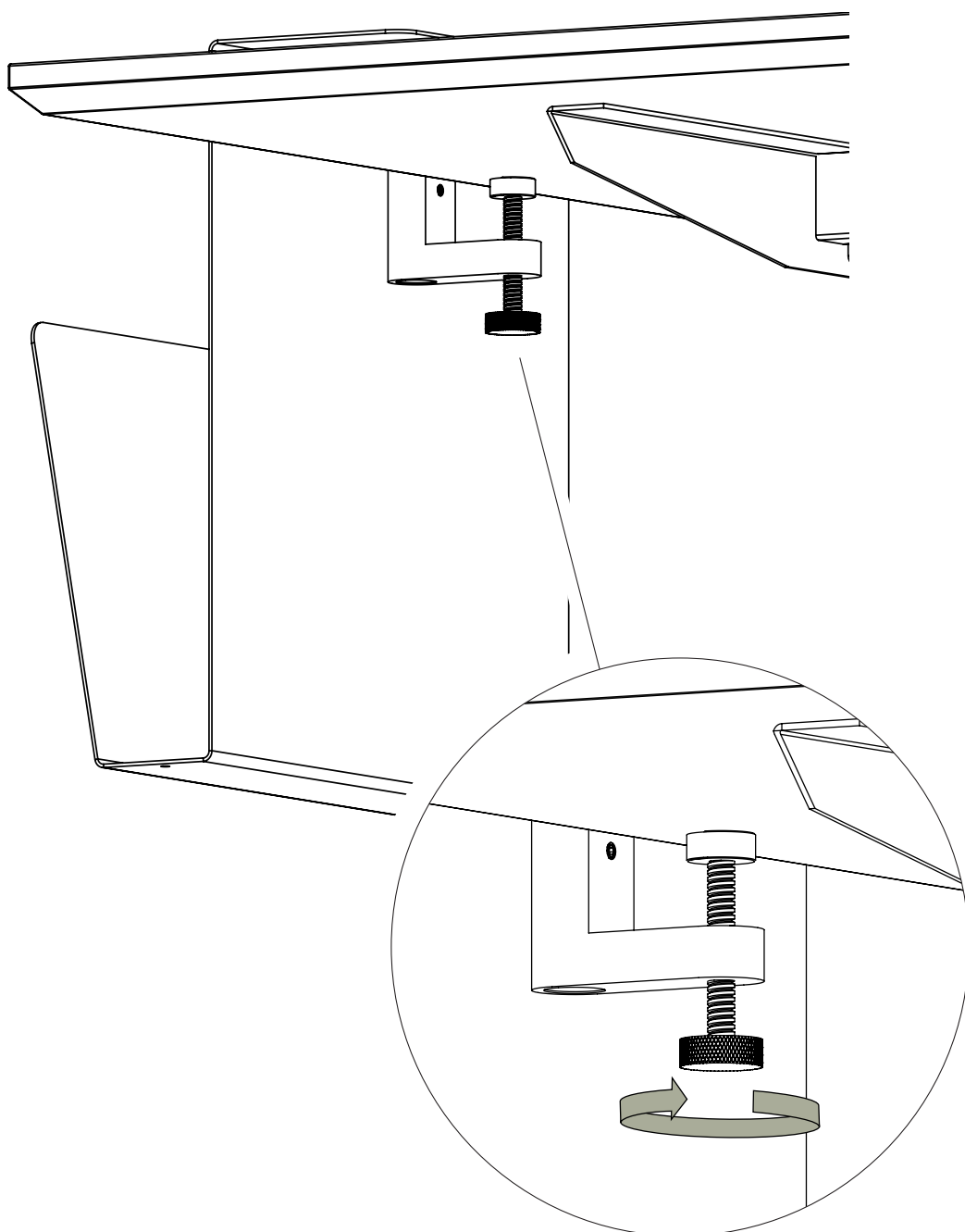
The bookshelf can now be attached to the preferred surface.



# APTO

# STEP 4

When the placement of the bookshelf is correctly, then tighten the finger screw completely.



# APTO

Hårup Skovej 2, 8600 Silkeborg, Danmark  
+ 45 86 81 23 75 // [www.aptocollection.dk](http://www.aptocollection.dk)

APTO  
DANISH DESIGN