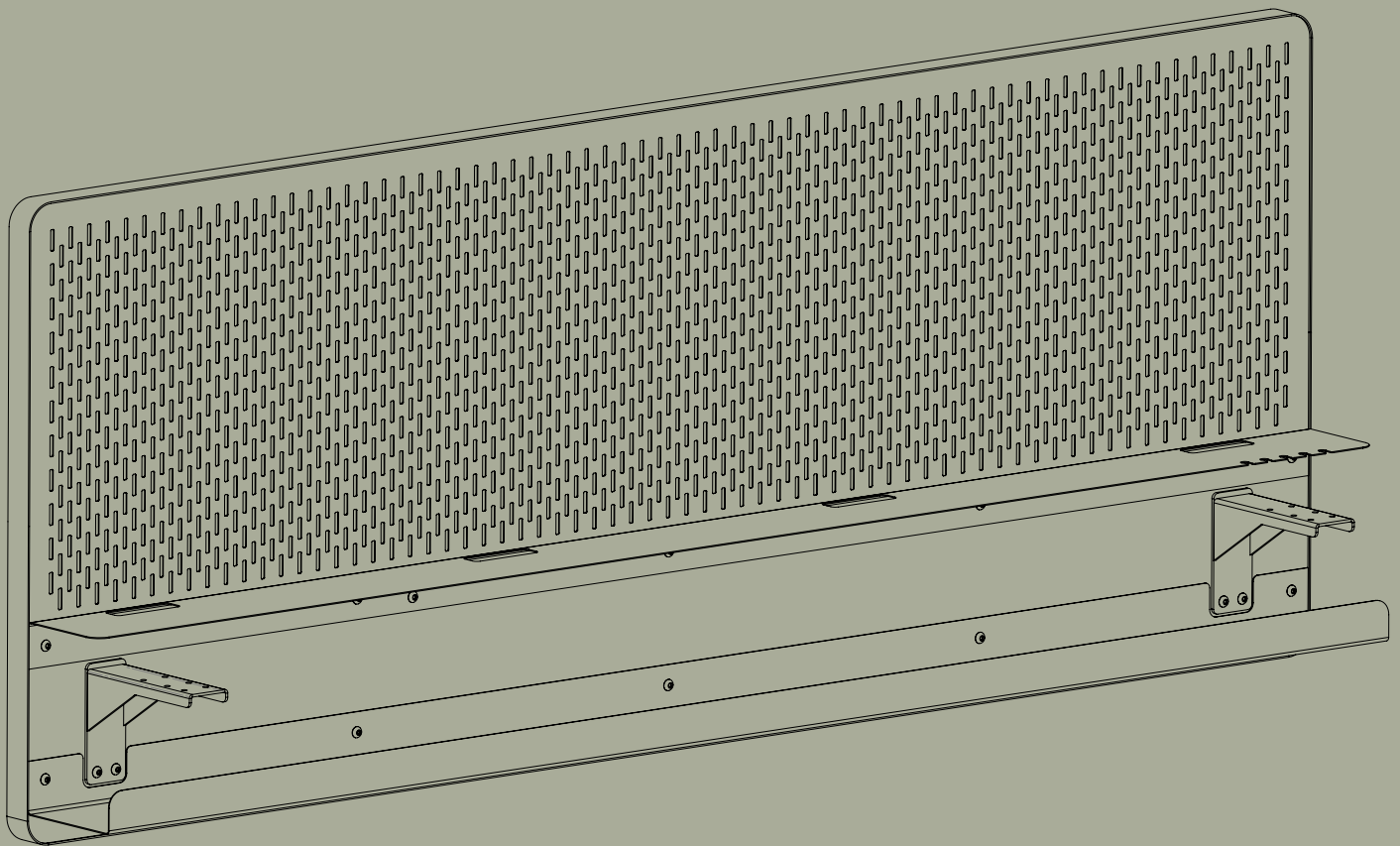


INSTRUCTION MANUAL

ADAPT BOARD

DESIGNED BY PJ PRODUCTION & HANS THYGE & CO



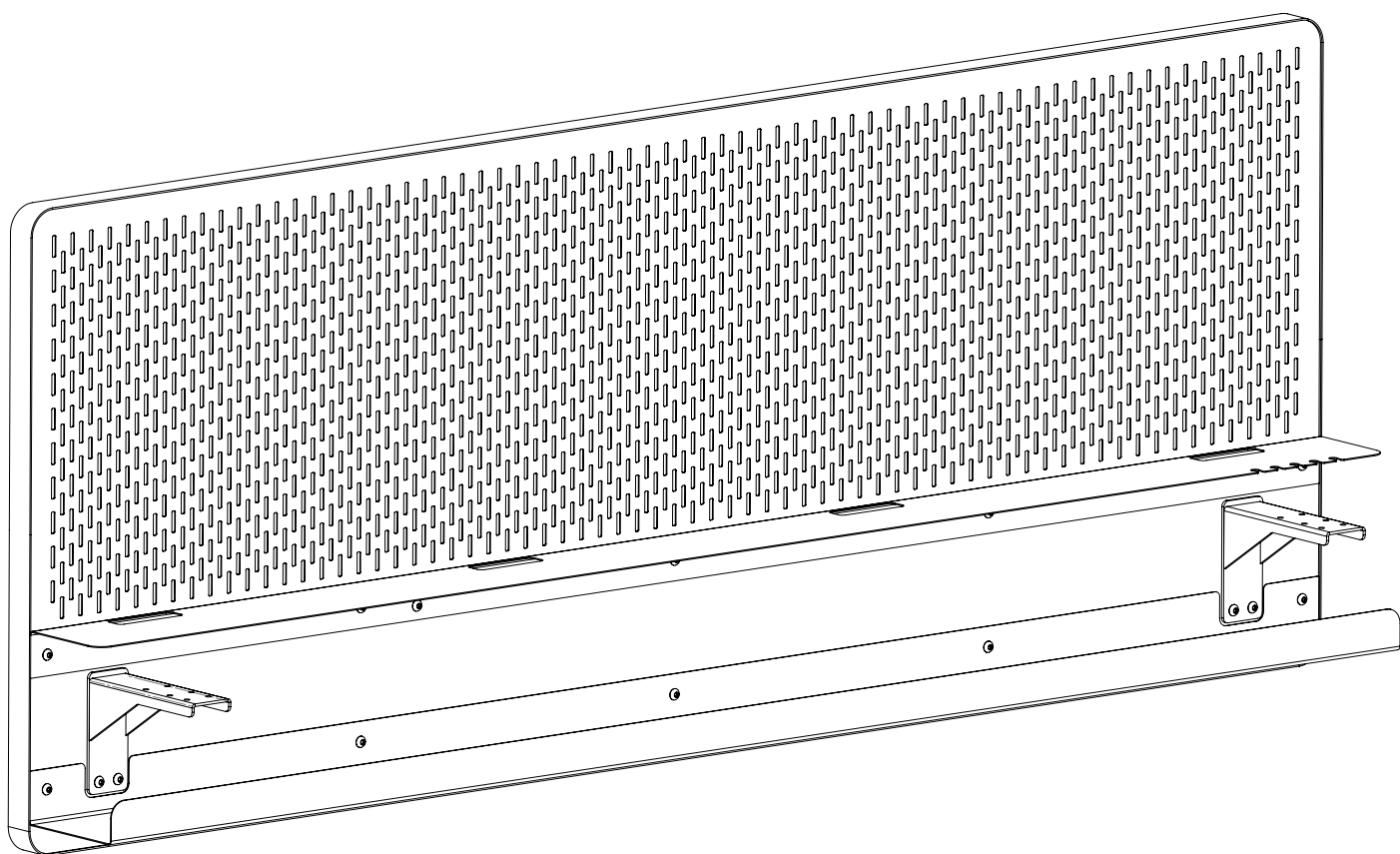
APTO

Designed by PJ Production & Hans Thyge & Co // Hårup Skovvej 2, 8600 Silkeborg, Danmark // + 45 86 81 23 75 // www.aptocollection.dk

Copyright ©

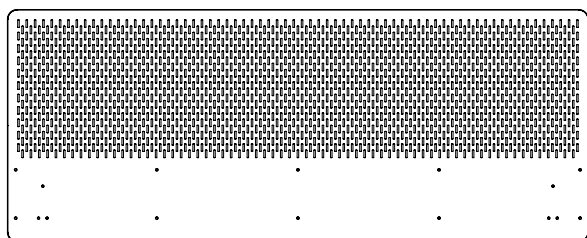
ADAPT BOARD

DESIGNED BY PJ PRODUCTION & HANS THYGE & CO



APTO

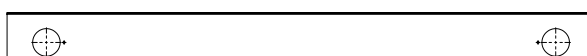
PARTS



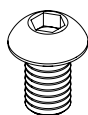
1 x board



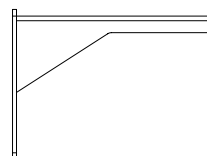
1 x top cable tray



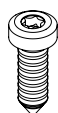
1 x cable tray



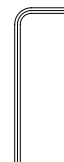
16 x Screws 7380



2 x Bracket

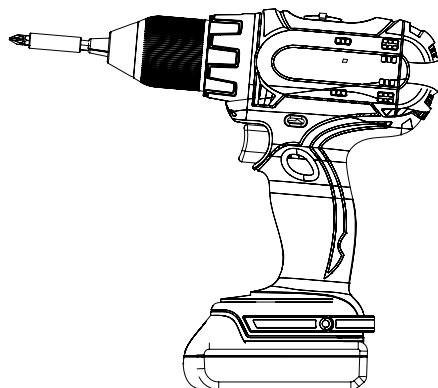


12 x Screws 14585



1 x Allen wrench

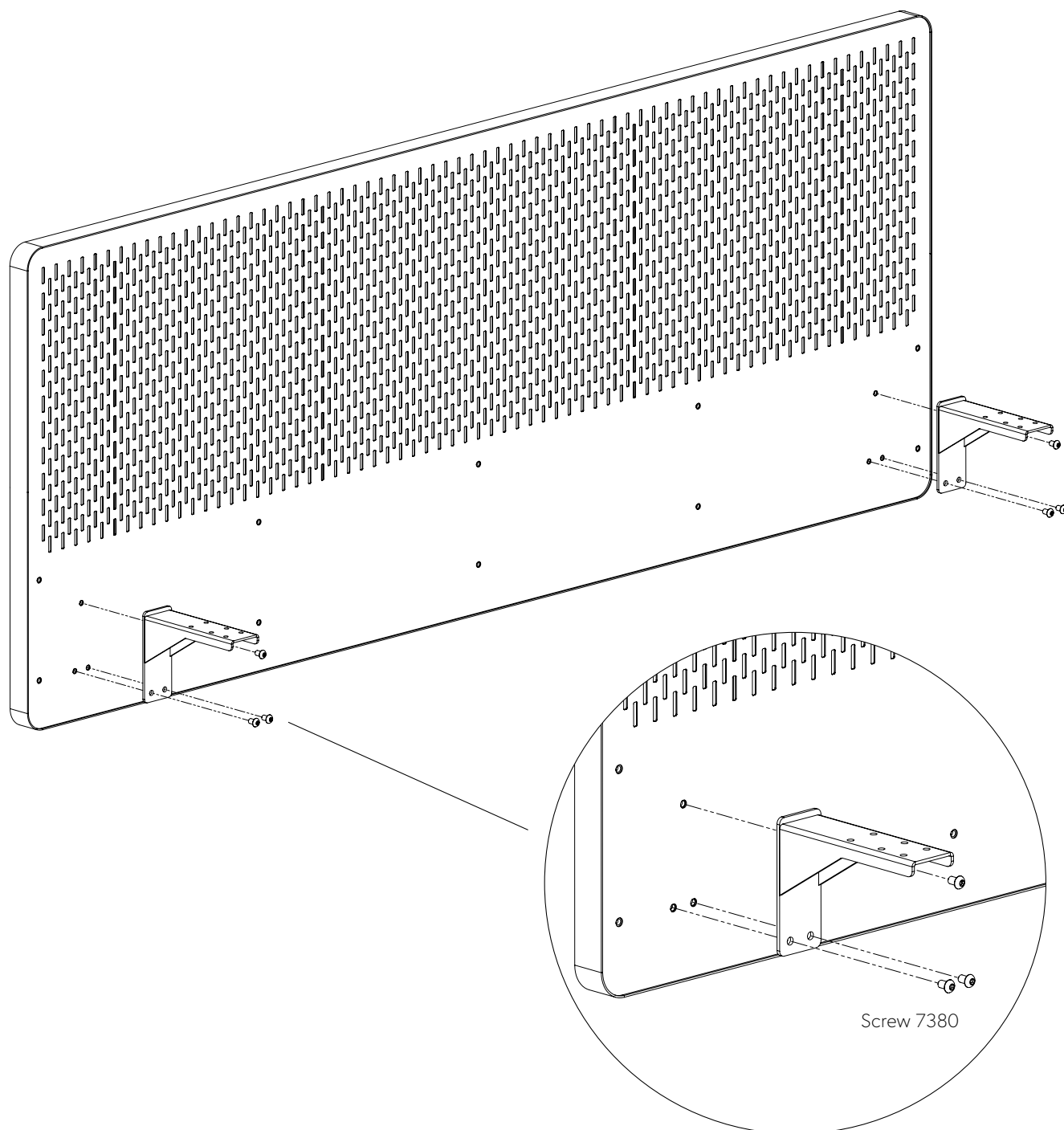
WHAT YOU WILL NEED



A drill

STEP 1

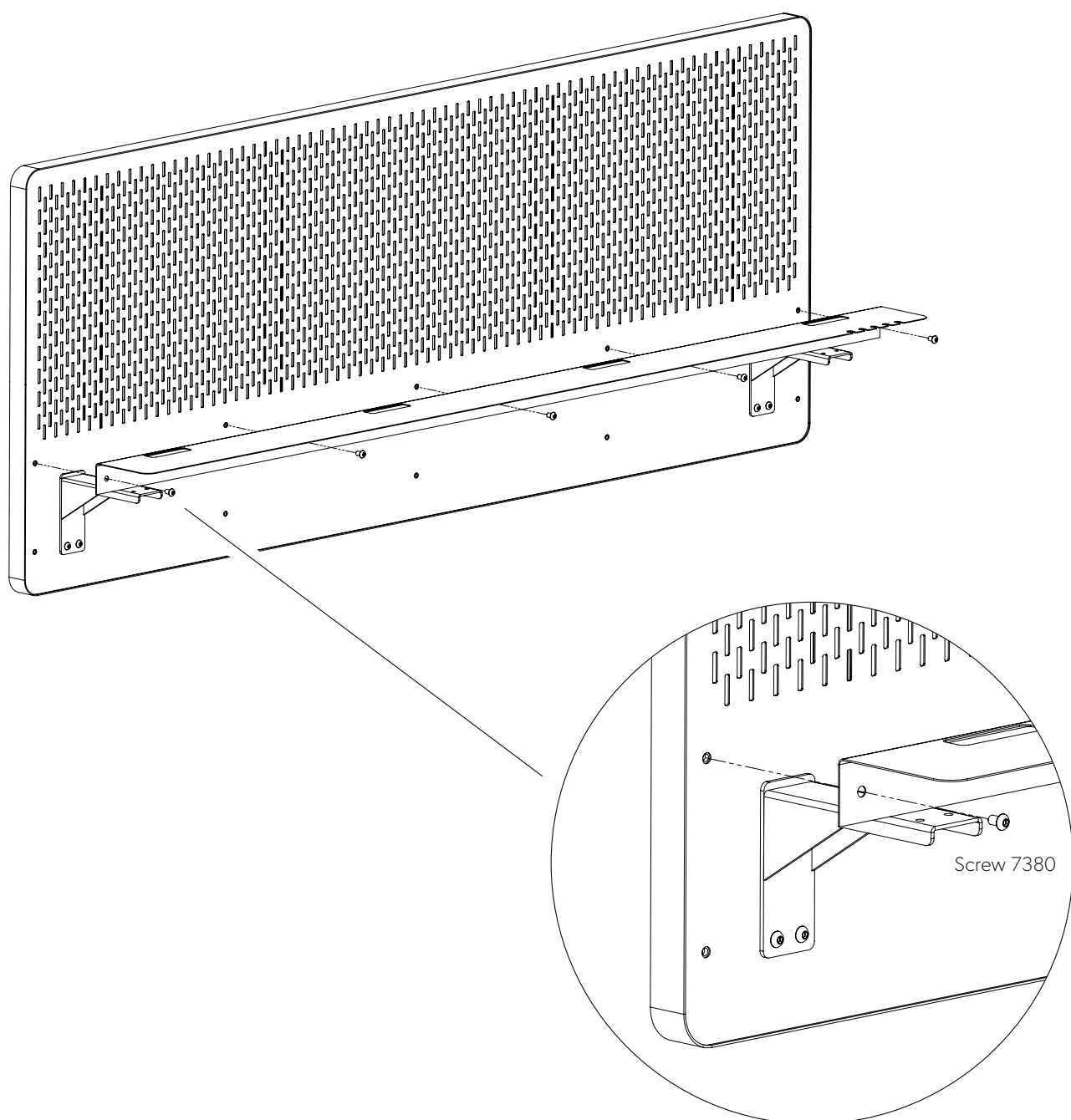
Use the allen wrench to fasten the two brackets to the board



APTO

STEP 2

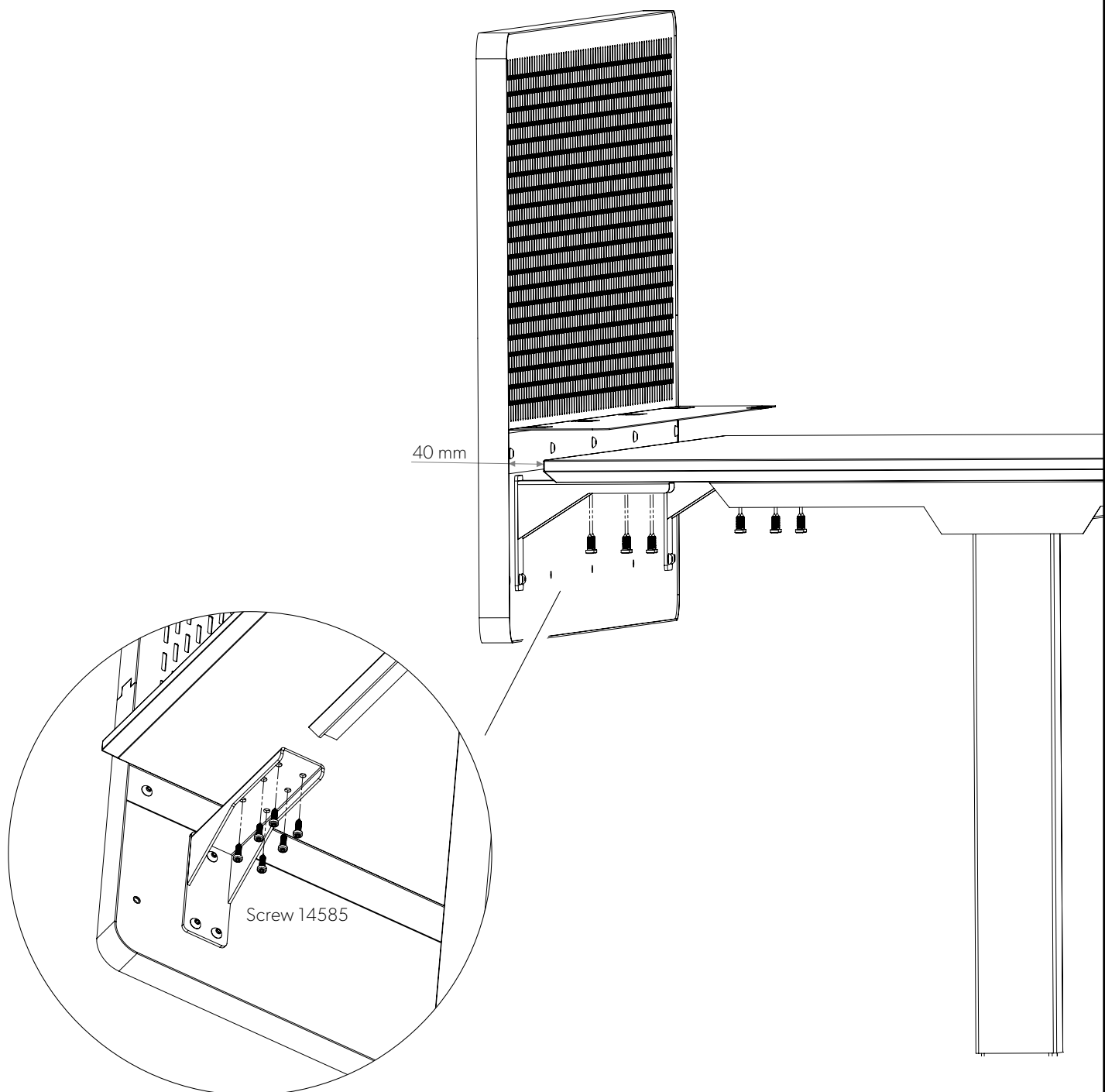
Fasten the top cable tray to the board by using the allen wrench.



APTO

STEP 3

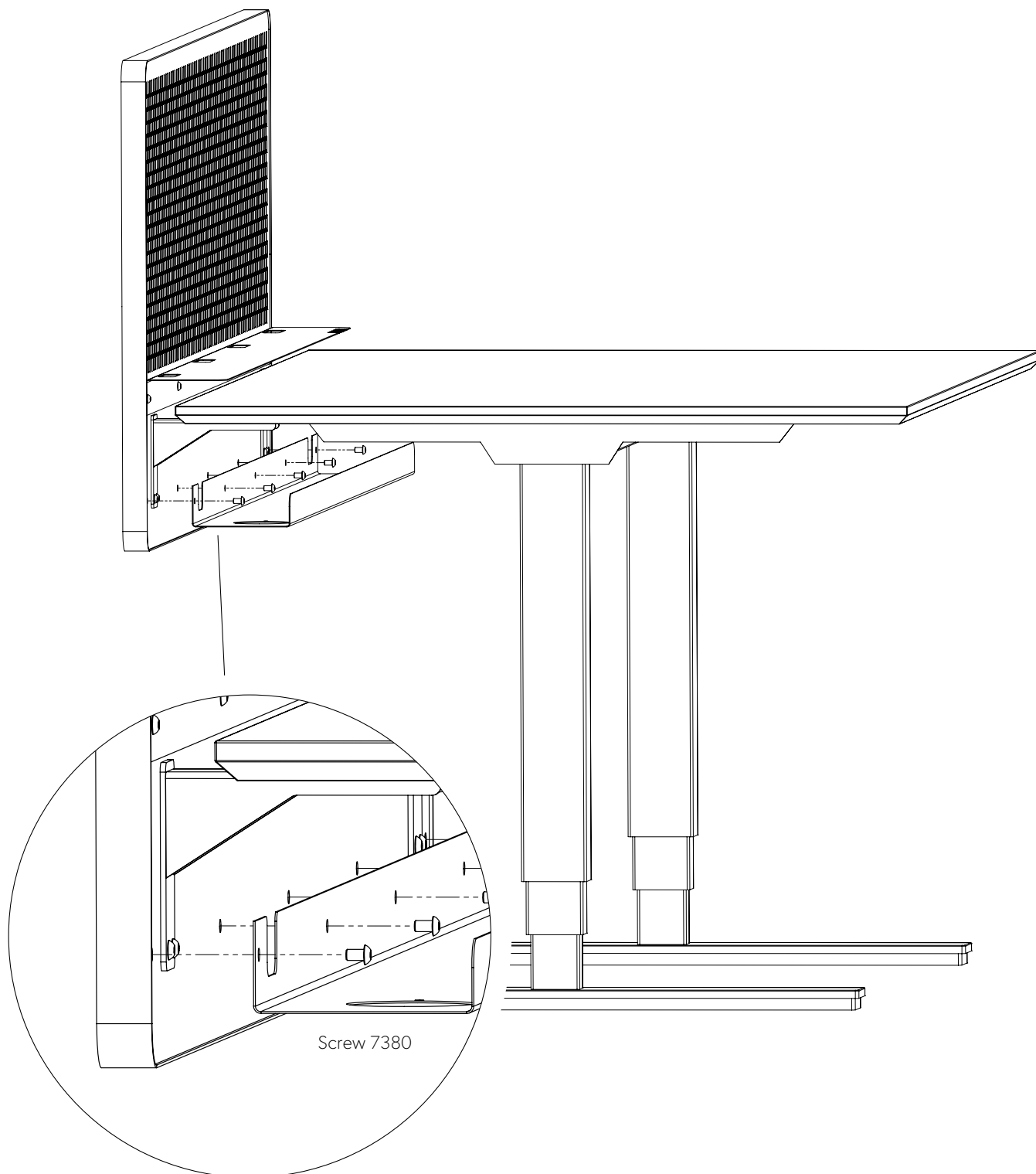
Use a drill to fasten the Adapt board to the table. The pegboard must have a distance of 40 mm to the edge of the table in order to pull cables from the table to cable tray. (see below)



APTO

STEP 4

Use the allen wrench to fasten the cable tray to the board



APTO

Hårup Skovej 2, 8600 Silkeborg, Danmark
+ 45 86 81 23 75 // www.aptocollection.dk

APTO
DANISH DESIGN